

*Parts Manual for*

# **GIANT-VAC®**

## **CLASSIC SERIES WALK-BEHIND LEAF BLOWER SERIES 1 & 2**

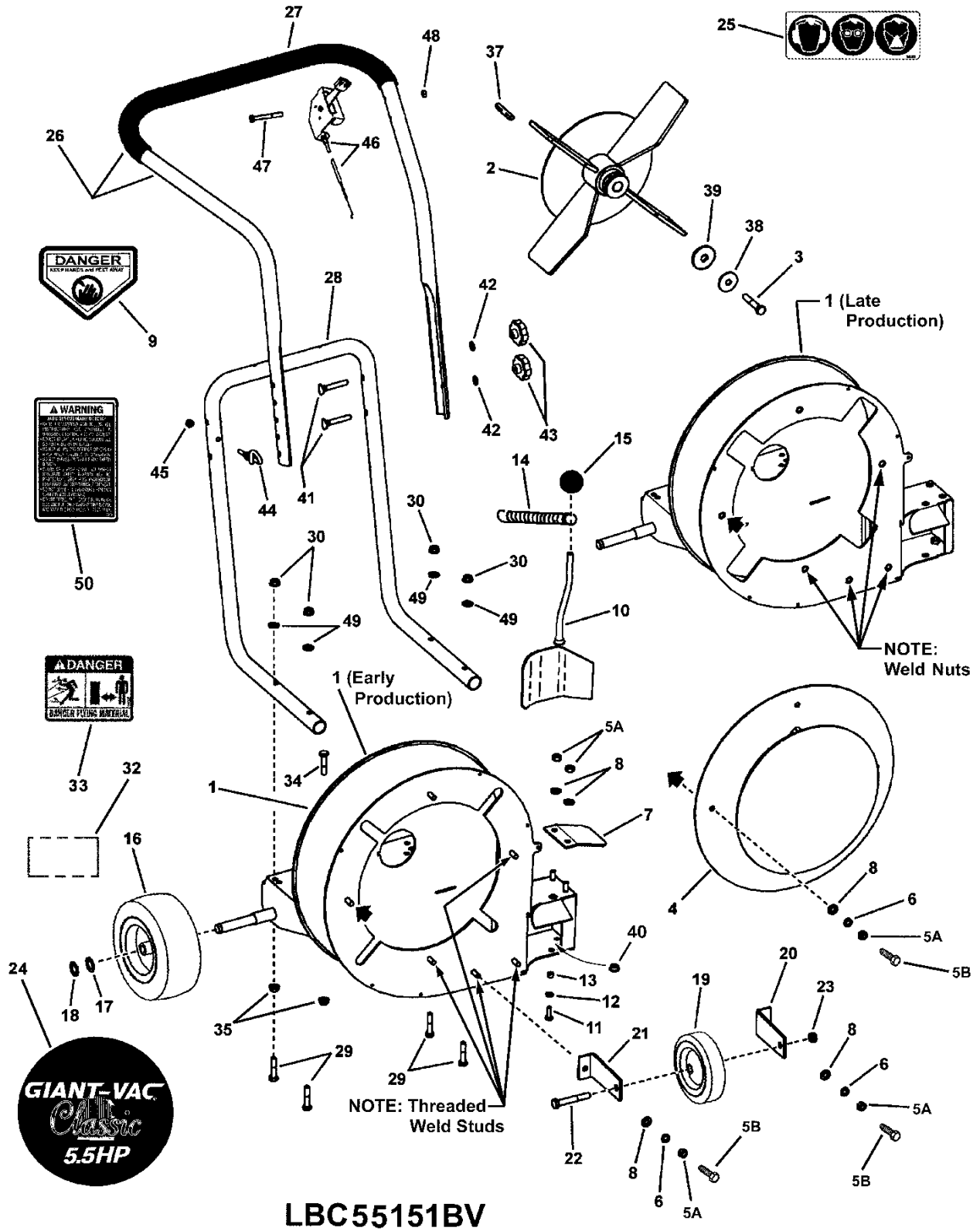


<b>MODEL</b>
<b>LBC55151BV</b>
<b>LBC6151BV</b>
<b>LBC6152BV</b>
<b>LBC7152BV</b>
<b>LBC915751BV</b>

**GIANT-VAC®**



<b>PAGE</b>	<b>GROUP</b>
4	GIANT-VAC Model LBC55151BV
8	GIANT-VAC Model LBC6151BV
12	GIANT-VAC Model LBC6152BV
16	GIANT-VAC MODEL LBC7152BV
20	GIANT-VAC MODEL LBC915751BV



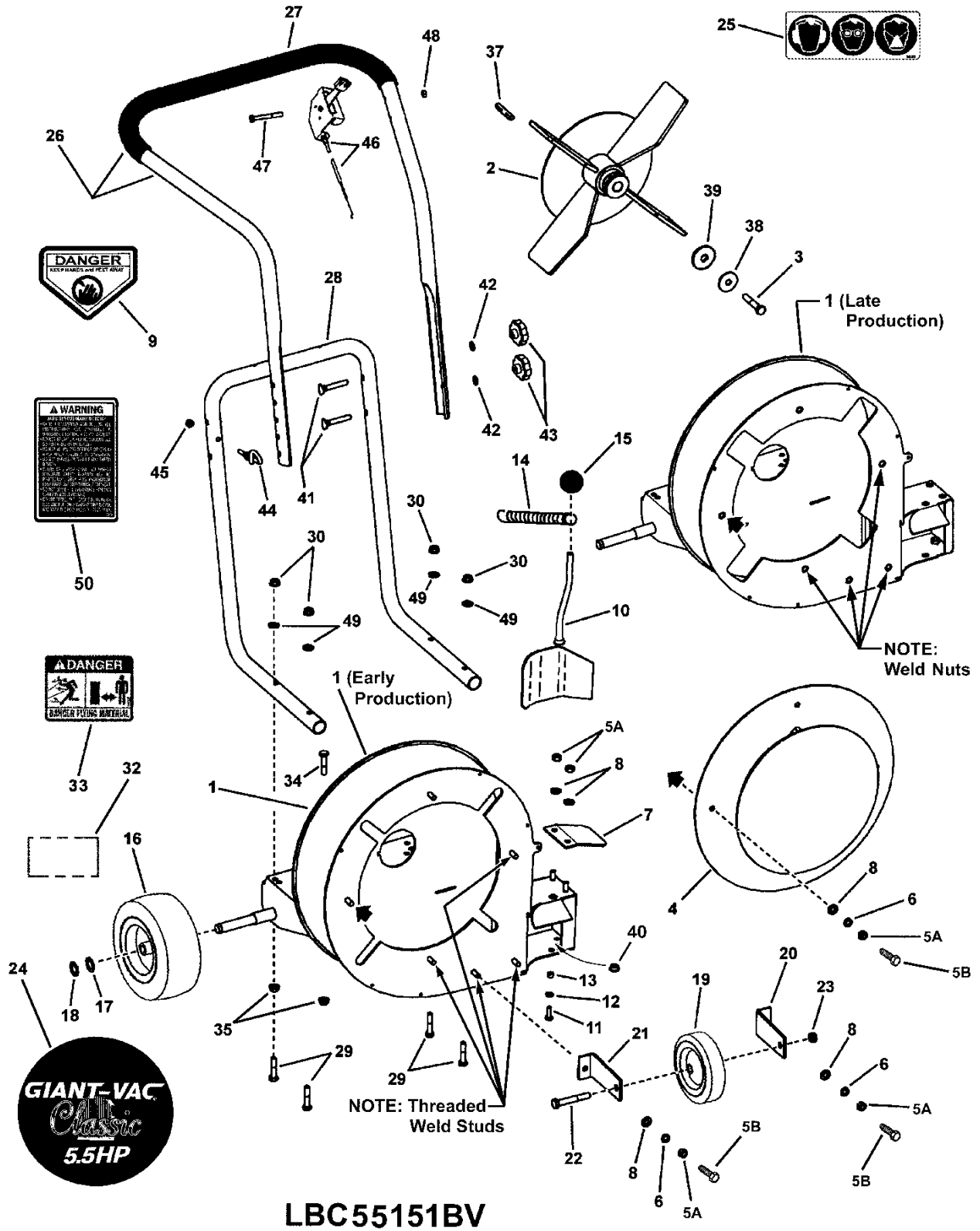
LBC55151BV

## GIANT-VAC Model LBC55151BV

Item	Part No	Qty	Description	Note
1	3010003	1	WELDMENT, Base & Housing, 52 Classic	
2	7043287	1	WELDMENT, Impeller, Steel 4 Blade, 15.00 O.D.	<i>replaces 3021506</i>
3	7090167	1	SCREW, 3/8-24 x 2" Hex Head Cap, GR 5	
4	3020234	1	WELDMENT, Intake Baffle	
5A	7091511	8	NUT, 5/16-18 Hex, GR 5 or B	
5B	7091318	8	SCREW, 5/16-18 x 3/4" Hex Head Cap, GR 5	
6	7091315	12	WASHER, 5/16" Split Lock	
7	3024507	1	DEFLECTOR, Side Air	
8	7090188	8	WASHER, 5/16" Flat	
9	7013010	1	DECAL, Danger, Cut Finger (CPSC)	
10	3024508	1	WELDMENT, Door Front/Side Discharge	<i>includes free-spinning bronze bushing #3031220</i>
11	7091495	1	SCREW, 1/4-20 x 3/4" Hex Head Cap, GR 5	
12	7027223	1	WASHER, 1/4" Split Lock	
13	3031014	1	BUSHING, Steel .250 x .375 x .25 Long	
14	3071782	1	SPRING, Extension	
15	3031103	1	KNOB, Ball- 3/8-16 Thread	<i>or 7012659</i>
16	3033001	2	*ASSY, Wheel & Tire, Sawtooth 4.10/3.50-4	<i>Kenda</i>
--	3033107	--	BALL BEARING, 5/8 x 1-3/8"	<i>included with item 16</i>
17	7091628	2	WASHER, .64 x .99 x .05 Flat	
18	7012763	2	RING, External Retaining	<i>Truarc 1500-62</i>
19	3033017	1	WHEEL, 6.00 x 1.50 Semi-Pneumatic	
20	3033101	1	BRACKET, Caster- RH	
21	3033102	1	BRACKET, Caster- LH	
22	7091501	1	SCREW, 3/8-16 x 2-1/2" Hex Head Cap, GR 5	
23	7091585	1	NUT, 3/8-16 Hex Center Lock, GR 5 or B	
24	3046472	1	DECAL, Classic Leaf Blower	
25	7075893	1	DECAL, Personal Protection	
26	3023270	1	ASSEMBLY, Upper Handle & Grip- Narrow	<i>(part # 7033876 + grip)</i>
27	7074422	1	GRIP, 1.0 x 21-1/2" Foam	
28	7033877	1	HANDLE, Lower Folding, Narrow, Blower	
29	7091908	4	SCREW, 5/16-18 x 1-3/4" Hex Head Cap, GR 5	
30	7091298	4	NUT, 5/16-18 Hex Nyloc	
31	3039112	1	ENGINE, 6HP B&S (not shown)	<i>Mod 126312-0163-E2</i>
32	3079214	1	DECAL, 5.5HP B&S	<i>B&amp;S p/n 274582</i>
33	7033874	1	DECAL, Danger, Flying Material	<i>or 7075892</i>
34	7091540	4	SCREW, 5/16-18 x 1-1/2" Hex Head Cap, GR 5	
35	7091601	4	NUT, 5/16-18 Hex Flange Lock, GR 5	
36	7090517	1	WASHER, 3/8" Flat	<i>not shown</i>

### Footnotes:

\*Incl. tire, rim, air valve, grease fitting & 2 ball bearings.



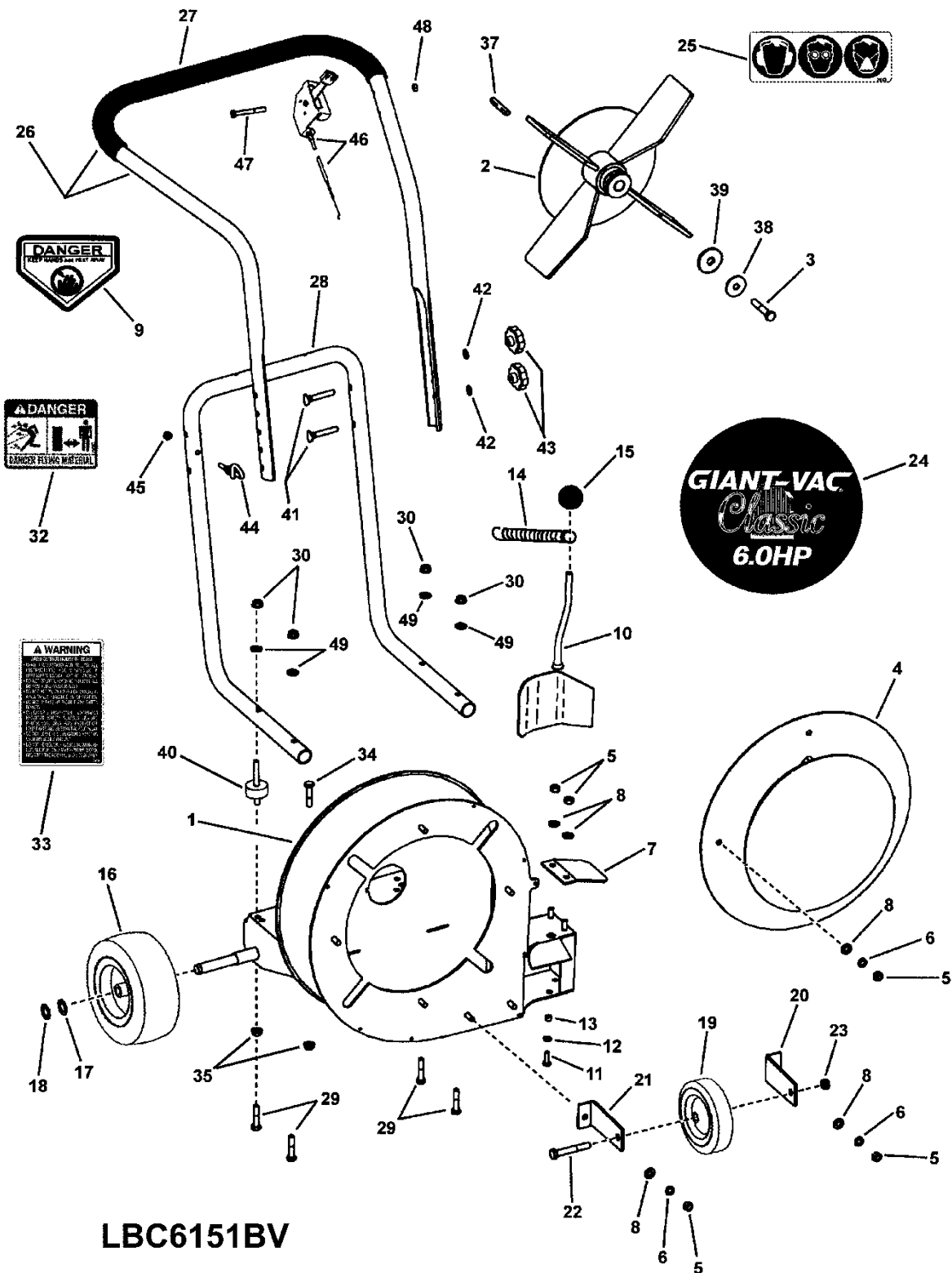
## GIANT-VAC Model LBC55151BV

---

Item	Part No	Qty	Description	Note
37	7010210	1	KEY, 1/4" Square x 2"	
38	7012063	1	WASHER, .411/.406 I.D. Cone	
39	7091962	1	WASHER, .468 x 1.625 x .25 Flat	
40	3031220	1	BUSHING, .375x.500x.25 (.625x.063 Flange)	<i>This bushing is part of item 17 on some models.</i>
41	7091189	4	BOLT, 5/16-18 x 2" Curved Head Square Neck, GR 2	
42	7090391	4	WASHER, 5/16" Internal Tooth Lock	
43	3071776	4	KNOB, Fluted (5/16-18 threads)	
44	7046465	1	ROPE GUIDE (1/4-20 thread)	
45	7090372	1	NUT, 1/4-20 Hex Center Lock, GR 5 or B	
46	3071800	1	THROTTLE CONTROL, B&S (35/1.62)	<i>Capro p/n 65-1382</i>
47	7090505	1	SCREW, 1/4-20 x 2" Hex Head Cap, GR 5	
48	7076978	1	NUT, 1/4-20 Hex Nyloc	
49	1717312	4	WASHER, 5/16" Curved	
50	7033686	1	DECAL, Leaf Blower Warning	

### Footnotes:

\*Incl. tire, rim, air valve, grease fitting & 2 ball bearings.





## GIANT-VAC Model LBC6151BV

Item	Part No	Qty	Description	Note
1	3010003	1	WELDMENT, Base & Housing, 52 Classic	
2	7043287	1	WELDMENT, Steel Impeller, 4 Blade, 15.00 O.D.	<i>replaces 3021506</i>
3	7090167	1	SCREW, 3/8-24 x 2" Hex Head Cap, GR 5	
4	3020234	1	WELDMENT, Intake Baffle	
5	7091511	8	NUT, 5/16-18 Hex, GR 5 or B	
6	7091315	8	WASHER, 5/16" Split	
7	3024507	1	DEFLECTOR, Side Air	
8	7090188	6	WASHER, .34 x .69 x .08 Flat	
9	7013010	1	DECAL, Danger, Cut Finger (CPSC)	
10	3024508	1	WELDMENT, Door Front/Side Discharge	<i>includes a free-spinning bronze bushine (3031220)</i>
11	7091495	1	SCREW, 1/4-20 x 3/4" Hex Head Cap, GR 5	
12	7027223	1	WASHER, .263 x .375 x .062 Split Lock	
13	3031014	1	BUSHING, Steel Sleeve .250 I.D. x .375 O.D. x .25 long	
14	3071782	1	SPRING, Extension	<i>was 3024502</i>
15	3031103	1	KNOB, #230 Dimco (3/8-16 thread)	<i>or 7012659</i>
16	3033001	2	*ASSY, Wheel & Tire, Sawtooth 4.10/3.50-4 Kenda	
--	3033107	--	BALL BEARING, 5/8 x 1-3/8"	<i>included with item 16</i>
17	7091628	2	WASHER, .64 x .99 x .05 Flat	
18	7012763	2	RING, External Retaining	<i>Truarc 1500-62</i>
19	3033017	1	WHEEL, 6.00 x 1.50 Semi-Pneumatic	
20	3033101	1	BRACKET, Caster- RH	
21	3033102	1	BRACKET, Caster- LH	
22	7091501	1	SCREW, 3/8-16 x 2-1/2" Hex Head Cap, GR 5	
23	7091585	1	NUT, 3/8-16 Hex Center Lock, GR 5 or B	
--	3033003	1	ASSEMBLY, Front Caster (incl. items 19 thru 23)	
24	3078075	1	DECAL, 6.0 HP Classic Leaf Blower, Giant-Vac	
25	7075893	1	DECAL, Personal Protection	
26	3023270	1	ASSEMBLY, Upper Handle & Grip- Narrow	<i>(part # 7033876 + grip)</i>
27	7074422	1	GRIP, 1.0 x 21-1/2" Foam	
28	7033877	1	HANDLE, Lower Folding, Narrow, Blower	
29	7091908	4	SCREW, 5/16-18 x 1-3/4" Hex Head Cap, GR 5	<i>not used on units with vibration mounts</i>
30	7091298	4	NUT, 5/16-18 Hex Nyloc	
31	3039112	1	*ENGINE, 6HP B&S Intek, 1" Horizontal Shaft (not shown)	<i>Mod. 121212-0110-E1</i>
32	7033874	1	DECAL, Danger, Flying Material	
33	7033686	1	DECAL, Leaf Blower Warning	
34	7091540	4	SCREW, 5/16-18 x 1-1/2" Hex Head Cap, GR 5	
35	7091601	8	NUT, 5/16-18 Hex Flange Lock, GR 5	
36	7090517	1	WASHER, 3/8" Flat	<i>not shown</i>

### Footnotes:

\*Includes tire, rim, air valve, grease fitting & 2 ball bearings.

\*See your local Briggs distributor for engine service parts.



## GIANT-VAC Model LBC6151BV

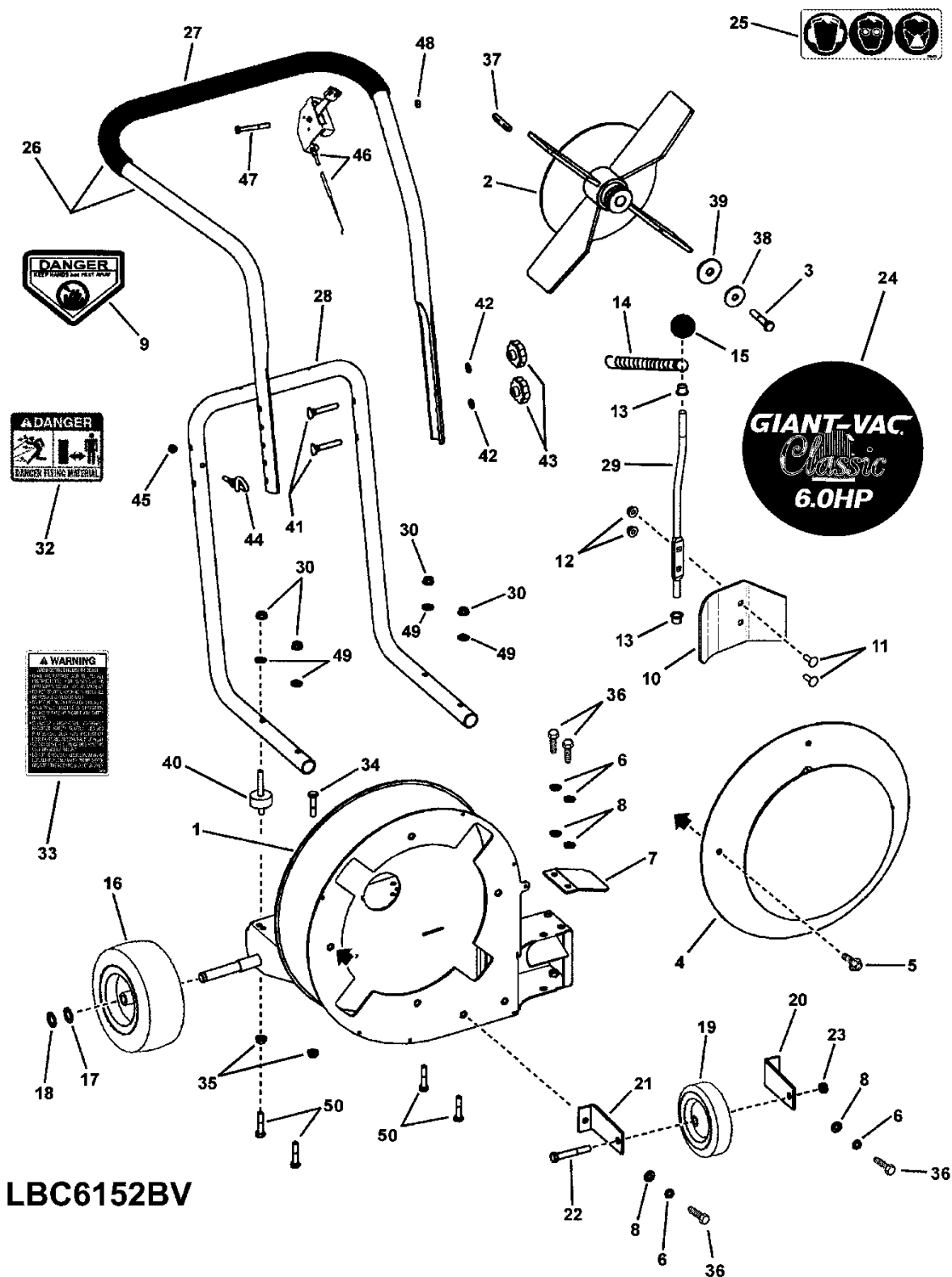
---

Item	Part No	Qty	Description	Note
37	7010210	1	KEY, 1/4" Square x 2"	
38	7012063	1	WASHER, .411/.406 I.D. Cone	
39	7091962	1	WASHER, .468 x 1.625 x .25 Flat	
40	3032160	4	MOUNT, Vibration (5/16-18 threads, both ends)	
41	7091189	4	BOLT, 5/16-18 x 2" Curved Head Square Neck, GR 2	
42	7090391	4	WASHER, 5/16" Internal Tooth Lock	
43	3071776	4	KNOB, Folding Handle	
44	7046465	1	ROPE GUIDE (1/4-20 thread)	
45	7090372	1	NUT, 1/4-20 Hex Center Lock, GR 5 or B	
46	3071800	1	THROTTLE CONTROL, B&S, 35.00/1.62	<i>part # is stamped on part</i>
47	7090505	1	SCREW, 1/4-20 x 2" Hex Head Cap, GR 5	
48	7076978	1	NUT, 1/4-20 Hex Nyloc	
49	1717312	4	WASHER, 5/16" Curved	

### Footnotes:

\*Includes tire, rim, air valve, grease fitting & 2 ball bearings.

\*See your local Briggs distributor for engine service parts.



**GIANT-VAC Model LBC6152BV**

Item	Part No	Qty	Description	Note
1	7043239	1	WELDMENT, Base & Housing, 52 Classic	
2	7043287	1	WELDMENT, Steel Impeller, 4 Blade, 15.00 O.D.	
3	7090167	1	SCREW, 3/8-24 x 2" Hex Head Cap, GR 5	
4	3020234	1	WELDMENT, Intake Baffle	
5	7091525	4	BOLT, 5/16-18 x 1/2" Hex Flange Lock	
6	7091315	4	WASHER, 5/16" Split	
7	3024507	1	DEFLECTOR, Side Air	
8	7090188	4	WASHER, .34 x .69 x .08 Flat	
9	7013010	1	DECAL, Danger, Cut Finger (CPSC)	
10	7078161	1	DOOR, Forward Air Control	
11	7091530	2	BOLT, 1/4-20 x 3/4" Short Square Neck, GR 5	
12	7091584	2	NUT, 1/4-20 Hex Flange Lock, GR 5	
13	7078169	2	BEARING, 3/8 Clip	
14	3071782	1	SPRING, Extension	
15	3031103	1	KNOB, #230 Dimco (3/8-16 thread)	
16	3033001	2	*ASSY, Wheel & Tire, Sawtooth 4.10/3.50-4 Kenda	
--	3033107	--	BALL BEARING, 5/8 x 1-3/8"	<i>included with item 16</i>
17	7091628	2	WASHER, .64 x .99 x .05 Flat	
18	7012763	2	RING, External Retaining	<i>Truarc 1500-62</i>
19	3033017	1	WHEEL, 6.00 x 1.50 Semi-Pneumatic	
20	3033101	1	BRACKET, Caster- RH	
21	3033102	1	BRACKET, Caster- LH	
22	7091501	1	SCREW, 3/8-16 x 2-1/2" Hex Head Cap, GR 5	
23	7091585	1	NUT, 3/8-16 Hex Center Lock, GR 5 or B	
--	3033003	1	ASSEMBLY, Front Caster (incl. items 19 thru 23)	
24	3078075	1	DECAL, 6.0 HP Classic Leaf Blower, Giant-Vac	
25	7075893	1	DECAL, Personal Protection	
26	3023270	1	ASSEMBLY, Upper Handle & Grip- Narrow	<i>(part # 7033876 + grip)</i>
27	7074422	1	GRIP, 1.0 x 21-1/2" Foam	
28	7033877	1	HANDLE, Lower Folding, Narrow, Blower	
29	7078163	1	ROD, Door Front/Side Discharge	
30	7091298	4	NUT, 5/16-18 Hex Nyloc	
31	3039112	1	*ENGINE, 6HP B&S Intek, 1" Horizontal Shaft	<i>(not shown) Mod. 121212-0110-E1</i>
32	7033874	1	DECAL, Danger, Flying Material	
33	7033686	1	DECAL, Leaf Blower Warning	
34	7091540	4	SCREW, 5/16-18 x 1-1/2" Hex Head Cap, GR 5	
35	7091601	8	NUT, 5/16-18 Hex Flange Lock, GR 5	
36	7091318	4	SCREW, 5/16-18 x 3/4" Hex Head Cap, GR 5	

**Footnotes:**

\*Includes tire, rim, air valve, grease fitting & 2 ball bearings.

\*See your local Briggs distributor for engine service parts.



## GIANT-VAC Model LBC6152BV

---

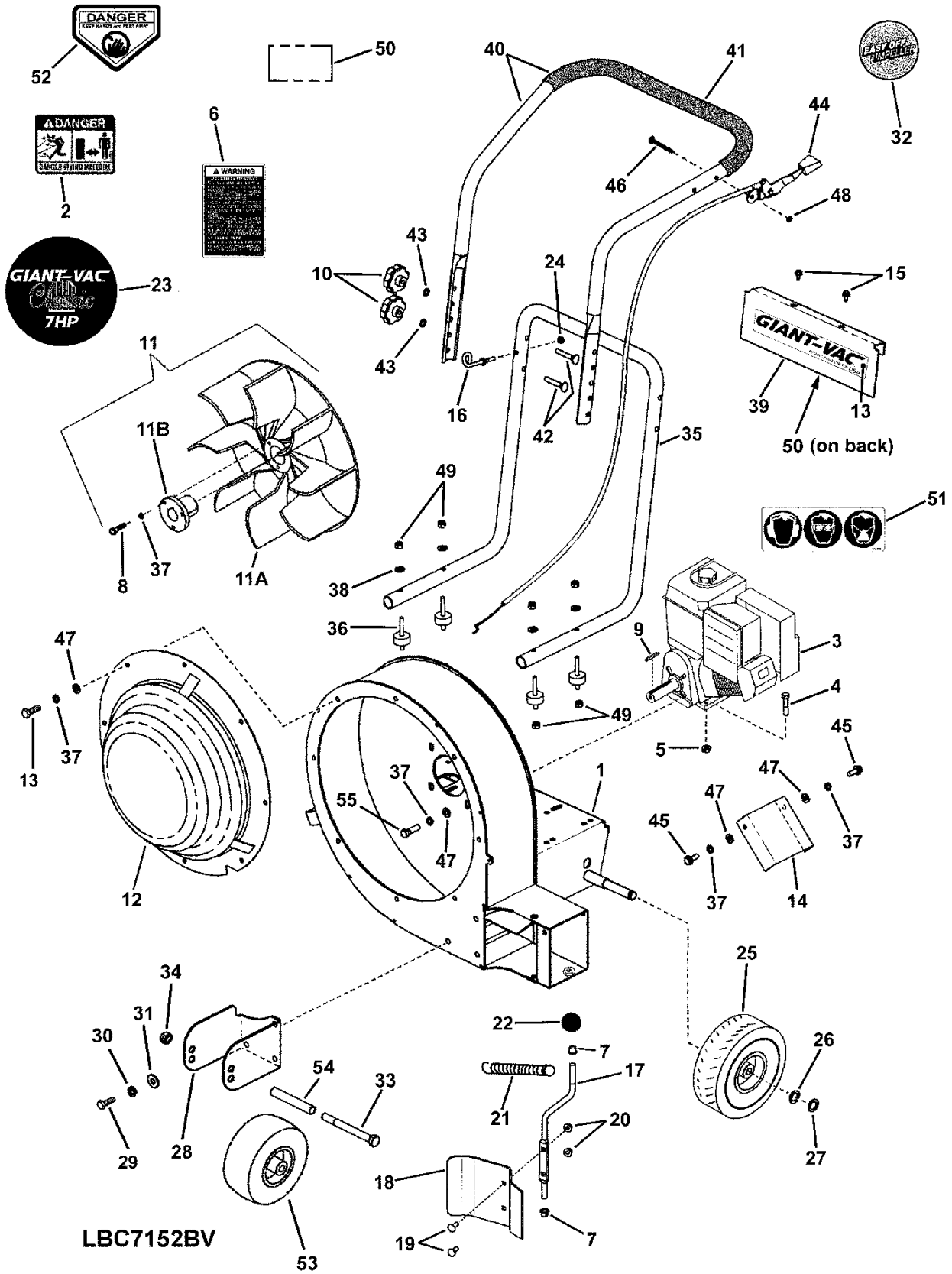
Item	Part No	Qty	Description	Note
37	7010210	1	KEY, 1/4" Square x 2"	
38	7012063	1	WASHER, .411/.406 I.D. Cone	
39	7091962	1	WASHER, .468 x 1.625 x .25 Flat	
40	3032160	4	MOUNT, Vibration (5/16-18 threads, both ends)	
41	7091189	4	BOLT, 5/16-18 x 2" Curved Head Square Neck, GR 2	
42	7090391	4	WASHER, 5/16" Internal Tooth Lock	
43	3071776	4	KNOB, Folding Handle	
44	7046465	1	ROPE GUIDE (1/4-20 thread)	
45	7090372	1	NUT, 1/4-20 Hex Center Lock, GR 5 or B	
46	3071800	1	THROTTLE CONTROL, B&S, 35.00/1.62	<i>part # is stamped on part</i>
47	7090505	1	SCREW, 1/4-20 x 2" Hex Head Cap, GR 5	
48	7076978	1	NUT, 1/4-20 Hex Nyloc	
49	1717312	4	WASHER, 5/16" Curved	
50	7091908	4	SCREW, 5/16-18 x 1-3/4" Hex Head Cap, GR 5	<i>not used on units with vibration mounts</i>

### Footnotes:

\*Includes tire, rim, air valve, grease fitting & 2 ball bearings.

\*See your local Briggs distributor for engine service parts.

**GIANT-VAC MODEL LBC7152BV**





**GIANT-VAC MODEL LBC7152BV**

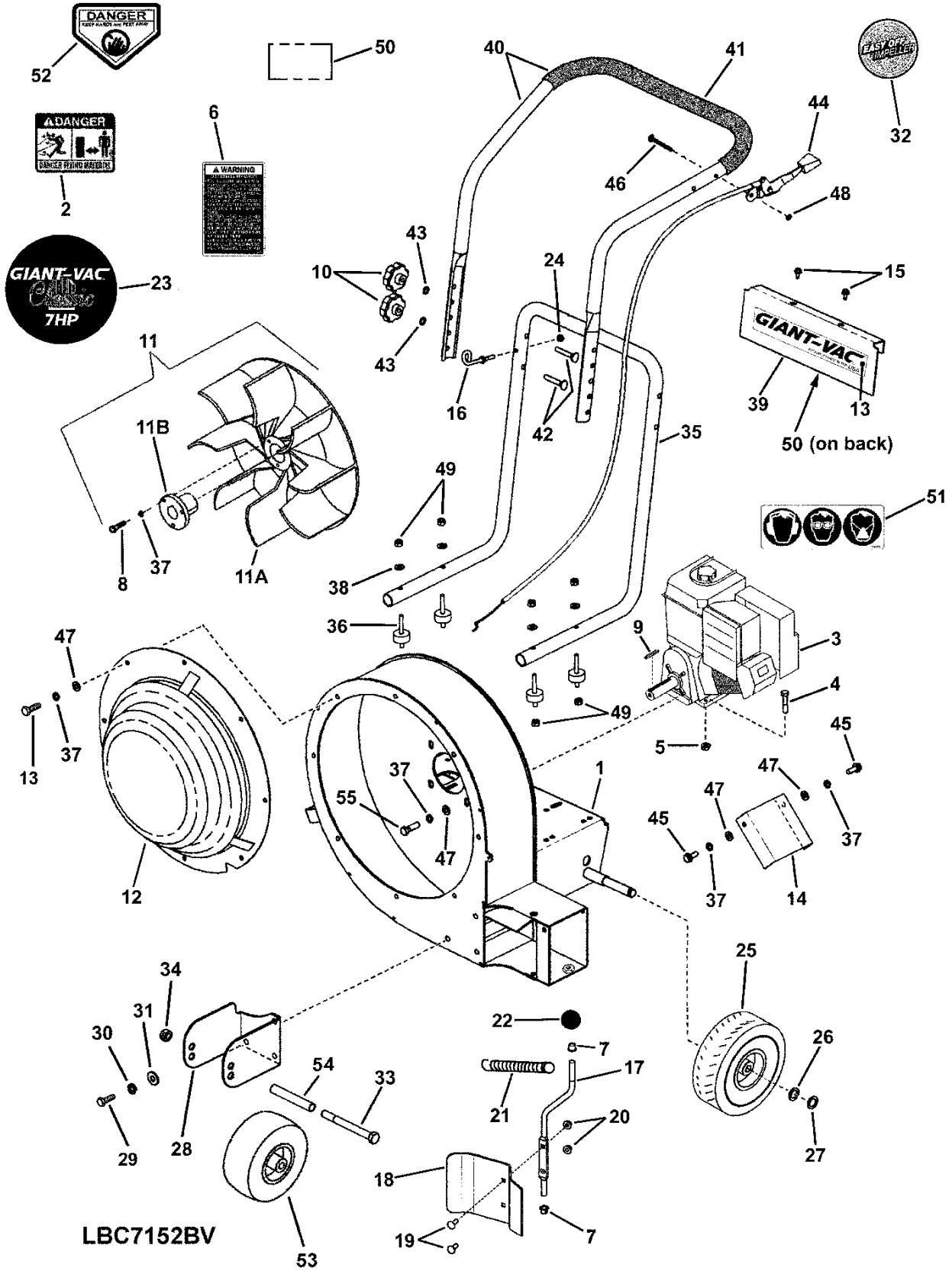
Item	Part No	Qty	Description	Note
1	7043267	1	WELDMENT, Housing- Extreme Blower	
2	7033874	1	DECAL, Thrown Objects, Large	
3	7078054	1	*ENGINE, 7HP B&S Intek	<i>Mod 122012-0116-E1</i>
4	7091540	4	SCREW, 5/16-18 x 1-1/2 Hex Head Cap, GR 5	
5	7091601	8	NUT, 5/16-18 Hex Flange Lock, GR 5	
6	7033686	1	DECAL, Warning - Leaf Blower	
7	7078169	2	BEARING, 3/8" Clip	
8	7091527	3	SCREW, 5/16-18 x 1-1/4" Hex Head Cap, GR 5	
9	7010210	1	KEY, 1/4 Square x 2"	
10	3071776	4	KNOB, Fluted (5/16-18 thread)	
11	3021598	1	ASSEMBLY, 15" 9 Blade Impeller w/Taper Lok	
11A	3021595	1	CASTING, Impeller, Aluminum, 9 Blade, 15" O.D. (w/taper lok)	
11B	3021596	1	HUB, Split Taper-Lok, Type 1 (1.938 OAL)	
12	3020233	1	WELDMENT, Intake Baffle - Extreme	
13	7075861	1	DECAL, Giant-Vac (2-1/2 x 12-1/2")	
14	7078106	1	DEFLECTOR, Side Air	
15	7091523	2	SCREW, 5/16-18 x 5/8" Hex Washer Self-Tap	
16	7046465	1	ROPE GUIDE (1/4-20 thread)	
17	7078149	1	ROD, Door Front/Side Discharge (3/8-16 thread)	
18	7078150	1	DOOR, Forward Air Control	
19	7091530	2	SCREW, Carriage 1/4-20 x 3/4" GR 5	
20	7091584	2	NUT, 1/4-20 Hex Flange Lock, GR 5	
21	3071782	1	SPRING, Extension (was 3024502)	
22	3031103	1	BALL KNOB, Hand Lever (3/8-16 metal insert)	
23	7078105	1	DECAL, Classic, 7HP Leaf Blower	
24	7090372	1	NUT, 1/4-20 Hex Center Lock, GR 5 or B	
25	3033001	2	ASSY., Wheel & Tire Sawtooth 4.10/3.50-4	<i>(Kenda)</i>
--	3033107	4	BALL BEARING, 5/8 x 1-3/8" (not shown)	<i>Part of item 25, 2 per wheel</i>
26	7091628	2	WASHER, .64 x .99 x .05 Flat	
27	7012763	2	RING, External Retaining (TRU1500-62)	
28	7078139	1	BRACKET, Front Wheel Mounting	
29	7091304	3	SCREW, 3/8-16 x 1" Hex Head Cap, GR 5	
30	7091320	3	WASHER, 3/8" Split Lock	
31	7090517	3	WASHER, 3/8" Flat	
32	3079269	1	DECAL, Easy Off Impeller	
33	7091822	1	BOLT, 1/2-13 x 5" Hex Head Cap	
34	7091894	1	NUT, 1/2-13 Hex Center Lock, GR 5	
35	7033753	1	HANDLE, Lower Folding- Wide- Blower	
36	3032160	4	MOUNT, Vibration (5/16-18 threads, both ends)	
37	7091315	14	WASHER, 5/16" Split Lock	

**Footnotes:**

\*See your local Briggs distributor for engine service parts.

\*\*Not shown separately (part of item 53)

**GIANT-VAC MODEL LBC7152BV**



## GIANT-VAC MODEL LBC7152BV

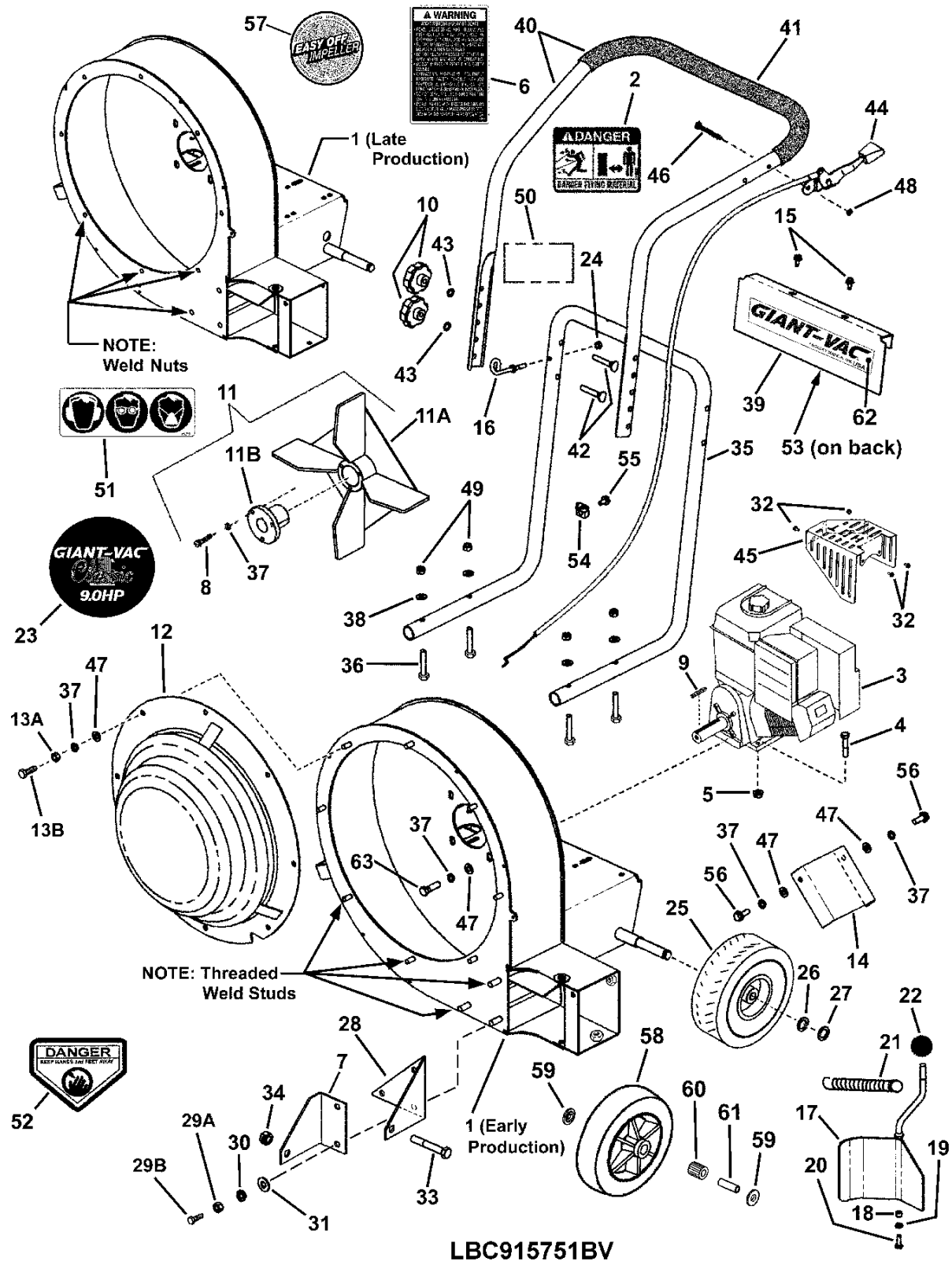
Item	Part No	Qty	Description	Note
38	1717312	4	WASHER, 5/16" Curved	
39	7033866	1	DASH PANEL, Blower- Wide	
40	3023276	1	ASSEMBLY, Upper Handle - Wide	<i>(p/n 7033696 + grip)</i>
41	7074422	1	GRIP, 1.0 x 21-1/2" Foam	
42	7091189	4	BOLT, 5/16-18 x 2, Curved Head Square Neck, GR 2	
43	7090391	4	WASHER, 5/16" Internal Tooth Lock	
44	3071800	1	THROTTLE CONTROL, B&S, HB Mount	<i>Capro p/n 65-1382</i>
45	7091318	10	SCREW, 5/16-18 x 3/4" Hex Head Cap, GR 5	
46	7090505	1	SCREW, 1/4-20 x 2" Hex Head Cap, GR 5	
47	7090188	10	WASHER, .34 x .69 x .08 Flat	
48	7076978	1	NUT, 1/4-20 Hex Nyloc	
49	7091298	8	NUT 5/16-18 Hex Nyloc	
50	7029445	1	DECAL, Giant-Vac 1-7/8 x 9-3/16" (Small)	
51	7075893	1	DECAL, Personal Protection	
52	7013010	1	DECAL, Danger, Cut Finger	
53	7058167	1	ASSY., Tire & Wheel 9 x 350-4 Smooth	<i>Wheel Assembly Includes the 6 items below.</i>
53A	7075553	1	**RIM, One-Piece Steel, Gray	
53B	7029870	1	**TIRE, 9 x 3.50-4, 4 Ply, Smooth	
53C	7022395	1	**BEARING, Roller	
53D	7022394	2	**BALL BEARING, Flanged	<i>per tire assembly</i>
53E	7012234	1	**VALVE, Air	
53F	7046430	1	**GREASE FITTING, 45-Degree	
54	7022151	1	SLEEVE, Axle	
55	7090238	4	SCREW, 5/16-24 x 1" Hex Head Cap, GR 5	<i>Measure length for proper replacement.</i>
55	1921982	4	SCREW, 5/16-24 x 1-1/4" Hex Head Cap, GR 5	
55	7091513	4	SCREW, 5/16-24 x 1-3/4" Hex Head Cap, GR 5	

### Footnotes:

\*See your local Briggs distributor for engine service parts.

\*\*Not shown separately (part of item 53)

**GIANT-VAC MODEL LBC915751BV**



## GIANT-VAC MODEL LBC915751BV

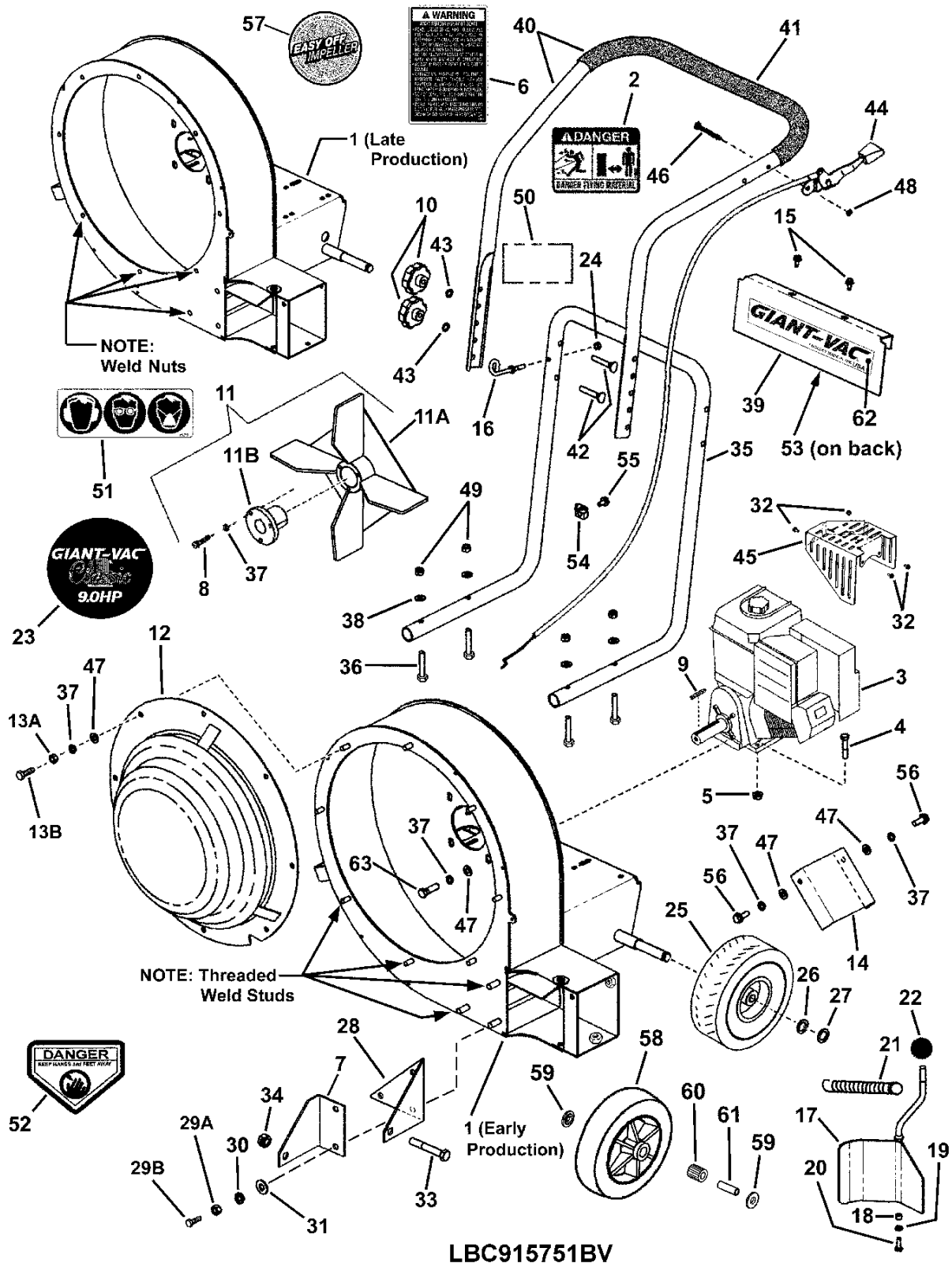
Item	Part No	Qty	Description	Note
1	3010164	1	WELDMENT, Blower Housing 60BWJ & 90BP	
2	7033874	1	DECAL, Thrown Objects, Large	
3	3039111	1	*ENGINE, B&S 10HP Intek OHV	<i>Mod 205412-0121-E1</i>
4	7091540	4	SCREW, Hex Head Cap 5/16-18 x 1-1/2 GR 5	
5	7091601	8	NUT, 5/16-18 Hex Flange Lock, GR 5	
6	7033686	1	DECAL, Warning- Leaf Blower	
7	3033159	1	BRACKET, Caster RH - 90BP	
8	7091527	3	SCREW, Hex Head Cap 5/16-18 x 1-1/4" GR 5	
9	7012315	1	KEY, 1/4 Square x 1-7/16"	
10	3071776	4	KNOB, Fluted (5/16-18 threads)	
11	3021558	1	ASSEMBLY, 15.75" 4 Blade Impeller w/Taper Lok	
11A	3042835	1	WELDMENT, Impeller, Steel 4 Blade, 15-3/4" O.D. (w/taper lok)	
11B	3021559	1	HUB, Split Taper-Lok, Type 1 (2.938 OVAL)	
12	3020211	1	WELDMENT, Intake Baffle- 60BWJ	
13A	7091511	8	NUT, 5/16-18 Hex, GR 5 or B	
13B	7091318	10	SCREW, 5/16-18 x 3/4" Hex Head Cap, GR 5	
14	3024500	1	DEFLECTOR, Side Air	
15	7091523	2	SCREW, 5/16-18 x 5/8" Hex Washer Self-Tap	
16	7046465	1	GUIDE, Rope (1/4-20 thread)	
17	3024501	1	**WELDMENT, Door Front/Side Discharge	
18	3031014	1	BUSHING, Steel .250 ID x .375 OD x .25 Long	
19	7027223	1	WASHER, 1/4" Split Lock	
20	7091495	1	SCREW, 1/4-20 x 3/4" Hex Head Cap, GR 5	
21	3071782	1	SPRING, Extension- Side Air Discharge Door	
22	3031103	1	KNOB, Ball Hand Lever- 3/8-16 Metal Insert	
23	3045303	1	DECAL, Classic, 90BP Leaf Blower	
24	7090372	1	NUT, 1/4-20 Hex Center Lock, GR 5 or B	
25	3033001	2	ASSY., Wheel & Tire Sawtooth 4.10/3.50-4	<i>Kenda</i>
--	3033107	4	BALL BEARING, 5/8 x 1-3/8" (not shown)	<i>Part of item 25, 2 per wheel</i>
26	7091628	2	WASHER, .64 x .99 x .05 Flat	
27	7012763	2	RING, External Retaining (TRU1500-62)	
28	3033157	1	BRACKET, Caster LH - 90BP	
29A	7091302	3	NUT, 3/8-16 Hex, GR 5 or B	
29B	7091304	3	SCREW, 3/8-16 x 1" Hex Head Cap, GR 5	
30	7091320	3	WASHER, 3/8" Split Lock	
31	7090517	3	WASHER, 3/8" Flat	
32	7091581	4	SCREW, #8-18 x 1/2" Hex Head Sheet Metal	
33	7092123	1	BOLT, 1/2-13 x 3-1/4" Hex Head Cap, GR 5	
34	7091894	1	NUT, 1/2-13, Hex Center Lock, GR 5 or B	
35	7033877	1	HANDLE, Lower Folding- Narrow- Blower	

### Footnotes:

\*Purchase engine components directly from engine manufacturer dealer.

\*\*Some early versions of item 17 may lack bushing (3031220).

**GIANT-VAC MODEL LBC915751BV**



## GIANT-VAC MODEL LBC915751BV

Item	Part No	Qty	Description	Note
36	7091908	4	SCREW, 5/16-18 x 1-3/4" Hex Head Cap, GR 5	
37	7091315	17	WASHER, 5/16" Split Lock	
38	1717312	4	WASHER, 5/16" Curved	
39	7033939	1	DASH PANEL, Blower - Narrow	
40	3023270	1	ASSEMBLY, Upper Handle - Narrow	<i>(p/n 7033876 + grip)</i>
41	7074422	1	GRIP, 1.0 x 21-1/2" Foam	
42	7091189	4	BOLT, Carriage 5/16-18 x 2 GR 2	
43	7090391	4	WASHER, 5/16" Internal Tooth Lock	
44	3071800	1	THROTTLE CONTROL, B&S (35/1.62)	<i>Capro p/n 65-1382</i>
45	3071833	1	HEAT SHIELD, B&S 9 & 10 HP Intek Engines	
46	7090505	1	SCREW, 1/4-20 x 2" Hex Head Cap, GR 5	
47	7090188	14	WASHER, .34 x .69 x .08 Flat	
48	7076978	1	NUT, 1/4-20 Hex Nyloc	
49	7091298	8	NUT 5/16-18 Hex Nyloc	
50	3079208	1	DECAL, 9HP B&S Intek	<i>B&amp;S p/n 274859</i>
51	7075893	1	DECAL, Personal Protection	
52	7013010	1	DECAL, Danger, Cut Finger	
53	7029445	1	DECAL, Giant-Vac (Small)	
54	3071814	1	CASING CLAMP, B&S Intek Engine	
55	3071815	1	SCREW, Casing Clamp - B&S Intek Engine	
56	7091318	2	SCREW, 5/16-18 x 3/4" Hex Head Cap, GR 5	
57	3079269	1	DECAL, Easy Off Impeller	
--	3033155	1	KIT, Caster Assembly	<i>includes items 7, 28, 33, 34 and the 4 items below</i>
58	3033156	1	CASTER WHEEL	<i>3033224 is an assembly of the caster wheel with seals, bearing and bushing.</i>
59	3033160	2	SEAL FLANGE	
60	3033161	1	BEARING CAGE	
61	3033158	1	BUSHING, Sleeve Caster Wheel	
62	7075861	1	DECAL, Giant-Vac	
63	7090238	4	SCREW, 5/16-24 x 1" Hex Head Cap, GR 5	
64	3031220	1	BUSHING, Flanged .375 x .500 x .25 (.625 x .063 Flange)	<i>not shown</i>

### Footnotes:

\*Purchase engine components directly from engine manufacturer dealer.

\*\*Some early versions of item 17 may lack bushing (3031220).







*Parts Manual for*

# **GIANT-VAC<sup>®</sup>**

## **CLASSIC SERIES WALK-BEHIND LEAF BLOWER SERIES 1 & 2**

IT IS THE POLICY OF SNAPPER TO IMPROVE ITS PRODUCTS  
WHENEVER IT IS POSSIBLE AND PRACTICAL TO DO SO. WE  
RESERVE THE RIGHT TO MAKE CHANGES OR ADD IMPROVEMENTS  
AT ANY TIME WITHOUT INCURRING ANY OBLIGATION TO MAKE  
SUCH CHANGES ON PRODUCTS MANUFACTURED PREVIOUSLY.

**GIANT-VAC<sup>®</sup>**