

Parts Manual for

GIANT-VAC®

EXTREME SERIES WALK-BEHIND LEAF BLOWER SERIES 1 & 2



MODEL

LBX10151BV (3085656)

LBX10152BV (7085916)

LBX10152BV (7800209)

LBX13152BV (7085918)

LBX13152BV (7800211)

LBX1351KH (3085657)

LBX8151KH (3085658)

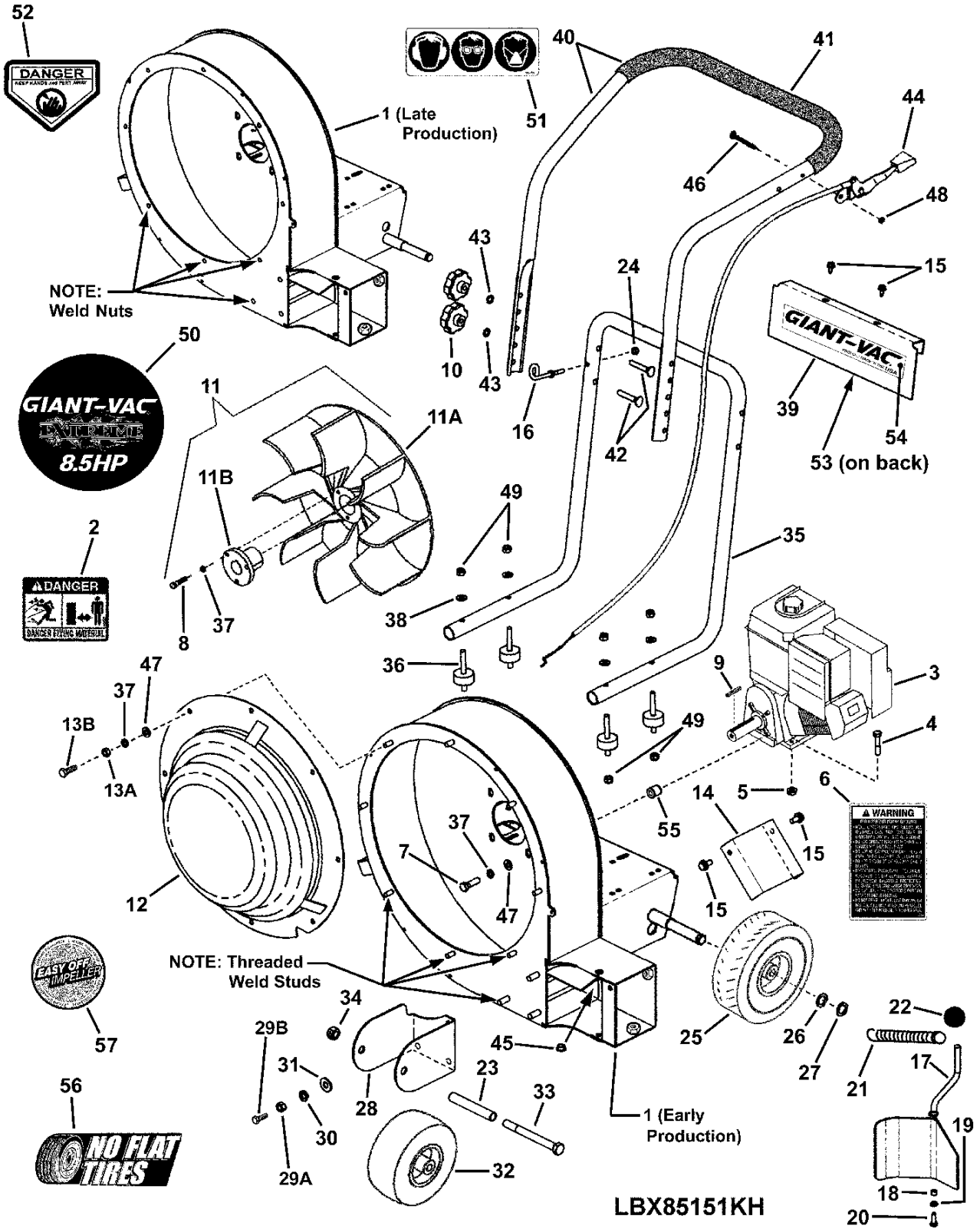
LBX9151H (3085659)

LBX9152BV (7085917)

LBX9152BV (7800210)

GIANT-VAC®

PAGE	GROUP
4	GIANT-VAC MODEL LBX85151KH
8	GIANT-VAC MODEL LBX9151H
12	GIANT-VAC MODEL LBX9152BV
16	GIANT-VAC MODEL LBX10151BV
20	GIANT-VAC MODEL LBX10152BV
24	GIANT-VAC MODEL LBX13151KH
28	GIANT-VAC MODEL LBX13152BV



GIANT-VAC MODEL LBX85151KH

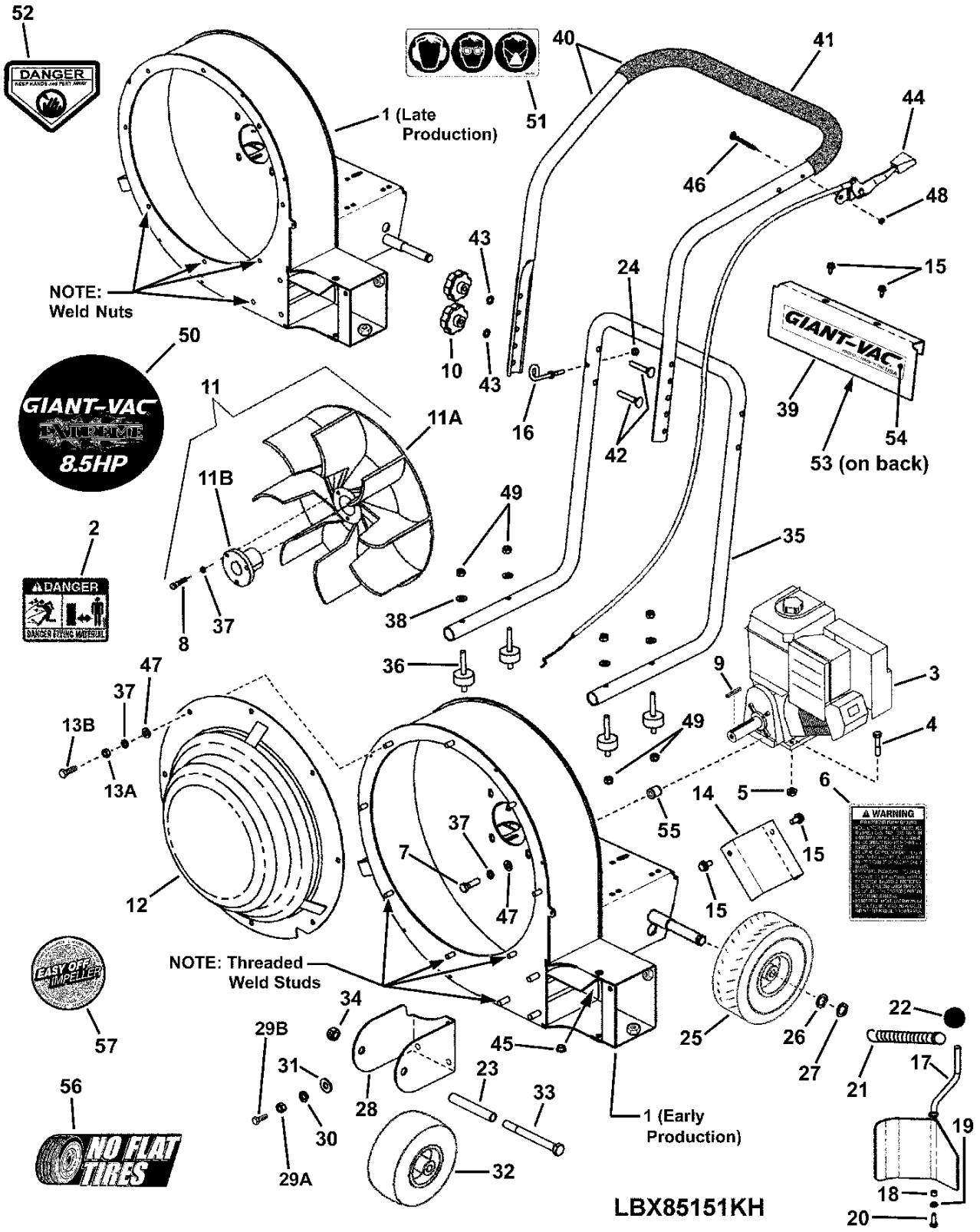
Item	Part No	Qty	Description	Note
1	3010268	1	WELDMENT, Housing - Extreme Blower	
2	7033874	1	DECAL, Thrown Objects, Large	
3	--	1	* ENGINE, Kohler 8.5HP PRO CS8.5T-PA-951501	
4	7091540	4	SCREW, 5/16-18 x 1-1/2 Hex Head Cap, GR 5	
5	7091601	8	NUT, 5/16-18 Hex Flange Lock, GR 5	
6	7033686	1	DECAL, Warning - Leaf Blower	
7	1921982	4	SCREW, 5/16-24 x 1-1/4" Hex Head Cap, GR 5	
8	7091527	4	SCREW, 5/16-18 x 1-1/4", Hex Head Cap, GR 5	
9	7010210	1	KEY, 1/4" Square x 2"	
10	3071776	4	KNOB, Fluted (5/16-18 thread)	
11	3021598	1	ASSEMBLY, 15" 9 Blade Impeller	<i>includes 11A, 11B & 3 ea. Items 8 & 37</i>
11A	3021595	1	IMPELLER, Cast, 15" O.D.	<i>aluminum with 9 curved blades</i>
11B	3021596	1	HUB, Taper-Lok, Type 1 - P1 x 1.000	<i>(1.938 OAL)</i>
12	3020233	1	WELDMENT, Intake Baffle - Extreme	
13A	7091511	8	NUT, 5/16-18 Hex, GR 5 or B	<i>Used on Early version Housing</i>
13B	7091318	10	SCREW, 5/16-18 x 3/4" Hex Head Cap, GR 5	<i>Used on Late version Housing</i>
14	3024500	1	DEFLECTOR, Side Air	
15	7091523	4	SCREW, 5/16-18 x 5/8" Hex Washer Self-Tap	
16	7046465	1	GUIDE, Rope (1/4-20 thread)	
17	3024501	1	** WELDMENT, Door Front/Side Discharge	
18	3031014	1	BUSHING, Steel .250 IDx.375 ODx.25 Long	
19	7027223	1	WASHER, 1/4" Split Lock	
20	7091495	1	SCREW, 1/4-20 x 3/4" Hex Head Cap, GR 5	
21	3071782	1	SPRING, Extension	
22	3031103	1	KNOB, Ball - 3/8-16 Metal Insert	
23	3034053	1	TUBE, Front Wheel - Extreme	
24	7090372	1	NUT, 1/4-20 Hex Center Lock, GR 5 or B	
25	3033276	2	ASSY., Wheel & Tire 4.10/3.50-4 "Flatfree"	
--	3033151	4	BALL BEARING, 5/8 x 1-3/8 (Not shown, part of 25)	<i>was 3033107</i>
26	7091628	2	WASHER, .64 x .99 x .05 Flat	
27	7012763	2	RING, External Retaining	<i>(TRU1500-62)</i>
28	3033186	1	BRACKET, Front Wheel Mounting	
29A	7091302	3	NUT, 3/8-16 Hex, GR 5 or B	
29B	7091304	3	SCREW, 3/8-16 x 1" Hex Head Cap, GR 5	
30	7091320	3	WASHER, 3/8" Split Lock	
31	7090517	3	WASHER, 3/8" Flat	
32	3033300	1	ASSY., Tire & Wheel 9 x 3.50-4 "Flatfree"	
33	7091822	1	BOLT, 1/2-13 x 5" Hex Head Cap	
34	7091894	1	NUT, 1/2-13 Hex Center Lock, GR 5	
35	7033753	1	HANDLE, Lower Folding - Wide - Blower	

Footnotes:

NOTE * Purchase engine components directly from engine manufacturer dealer.

NOTE ** Some early versions of item 17 may lack bushing (3031220).

GIANT-VAC MODEL LBX85151KH



GIANT-VAC MODEL LBX85151KH

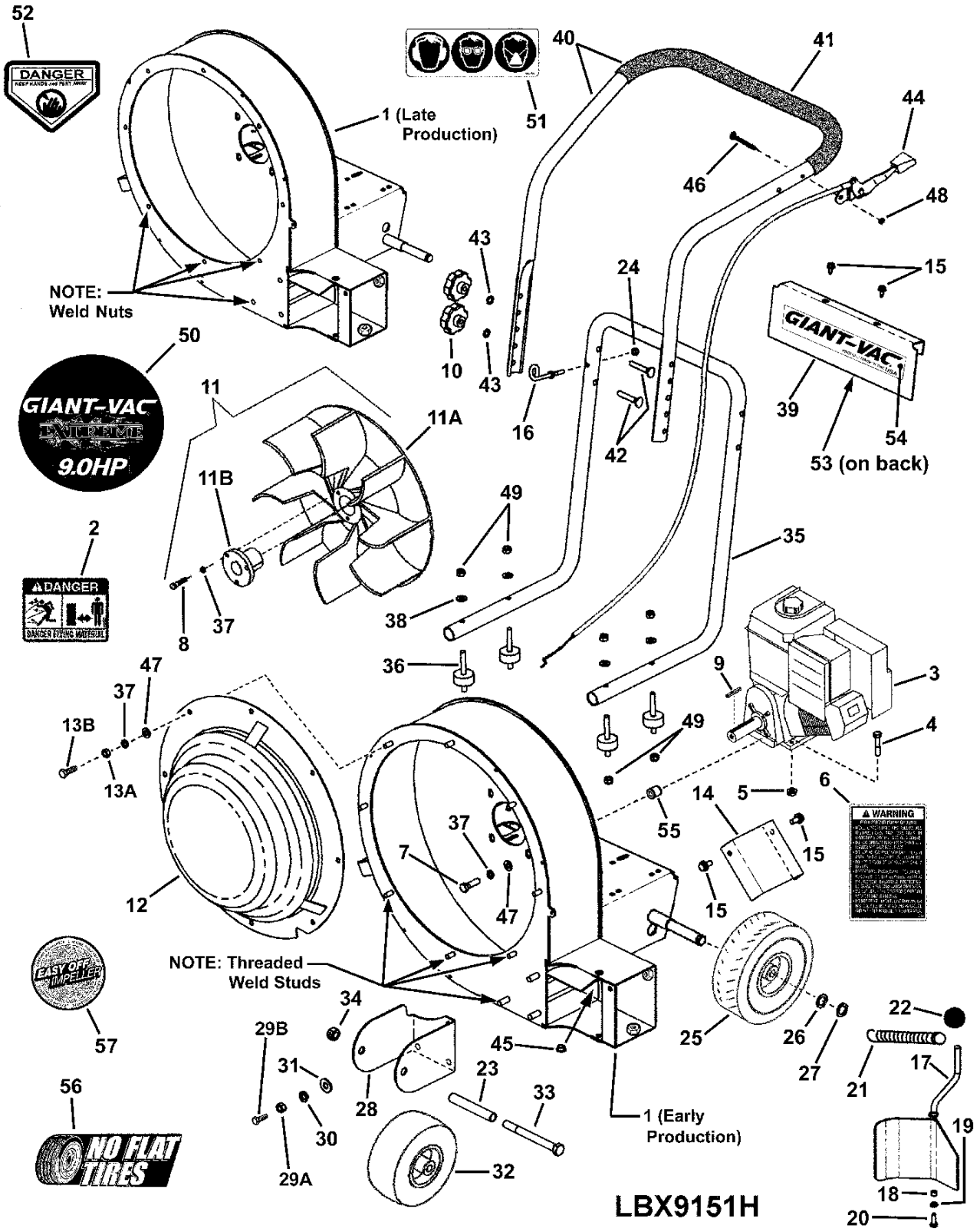
Item	Part No	Qty	Description	Note
36	3032160	4	MOUNT, Vibration (5/16-18, both ends)	
37	7091315	15	WASHER, 5/16" Split Lock	
38	1717312	4	WASHER, 5/16" Curved	
39	7033866	1	DASH PANEL, Blower - Wide	
40	3023276	1	ASSY, Upper Handle & Grip - Wide	(p/n 7033696 + grip)
41	7074422	1	GRIP, 1.0 x 21-1/2" Foam	
42	7091189	4	BOLT, 5/16-18 x 2", Curved Hd. Sq. Neck	
43	7090391	4	WASHER, 5/16" Internal Tooth Lock	
44	3071799	1	THROTTLE CONTROL, Kohler (35.24/3)	
45	3031220	1	BUSHING .375x.500x.25 (.625x.063 Flange)	<i>This bushing is part of item 17 on some models.</i>
46	7090505	1	SCREW, 1/4-20 x 2" Hex Head Cap, GR 5	
47	7090188	12	WASHER, .34 x .69 x .08 Flat	
48	7076978	1	NUT, 1/4-20 Hex Nyloc	
49	7091298	8	NUT, 5/16-18 Hex Nyloc	
50	3046583	1	DECAL, 8.5 HP Extreme	
51	7075893	1	DECAL, Personal Protection	
52	7013010	1	DECAL, Danger, Cut Finger	
53	7029445	2	DECAL, GIANT-VAC (Small)	
54	7075861	1	DECAL, GIANT VAC	
55	3031813	4	SPACER, .375 I.D. x .750 O.D. x .5	
56	3079268	1	DECAL, No Flat Tire	
57	3079269	1	DECAL, Easy Off Impeller	

Footnotes:

NOTE * Purchase engine components directly from engine manufacturer dealer.

NOTE ** Some early versions of item 17 may lack bushing (3031220).

GIANT-VAC MODEL LBX9151H



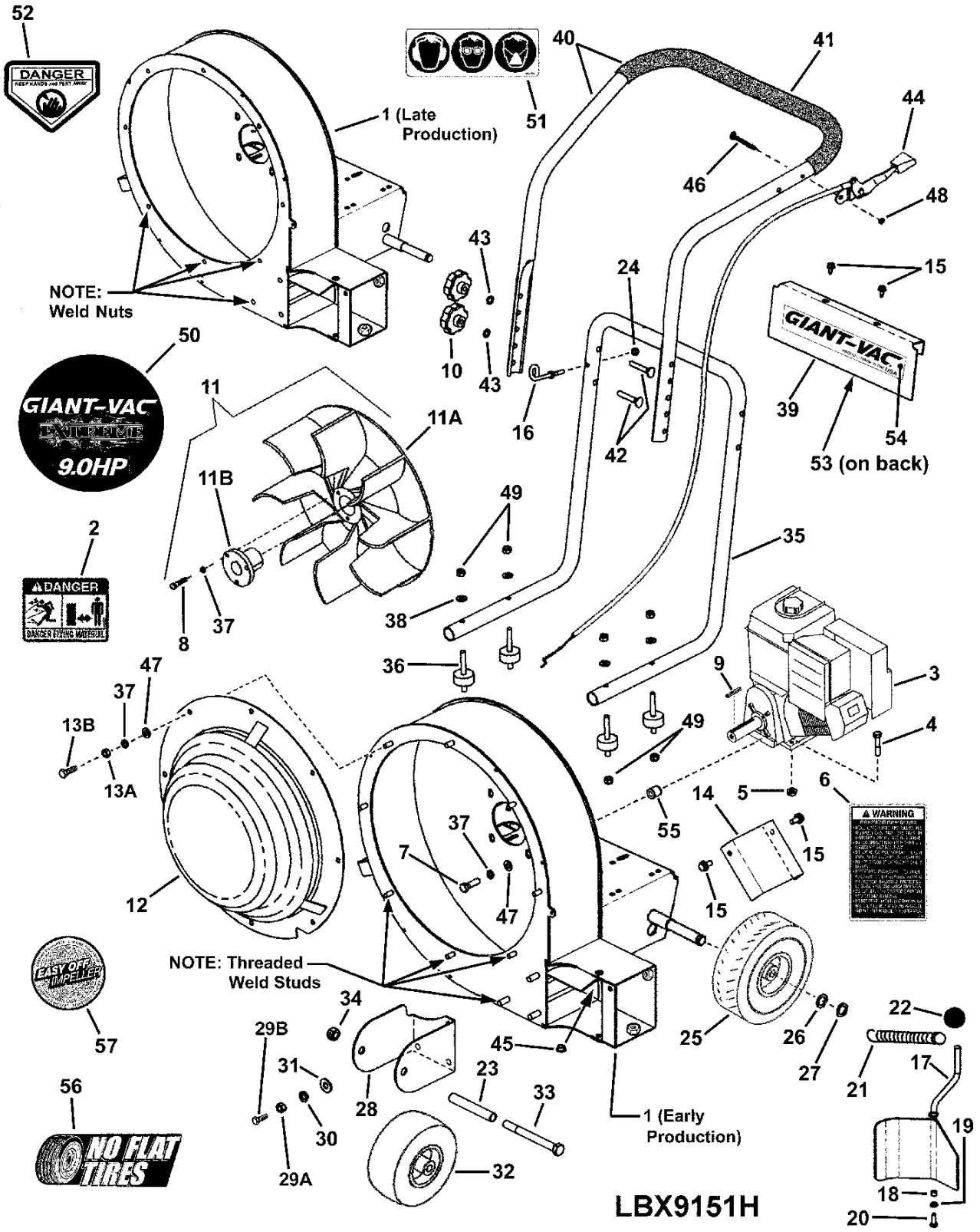
GIANT-VAC MODEL LBX9151H

Item	Part No	Qty	Description	Note
1	3010268	1	WELDMENT, Housing - Extreme Blower	
2	7033874	1	DECAL, Thrown Objects, Large	
3	--	1	* ENGINE, Honda 9HP, Model GX270QAW	
4	7091540	4	SCREW, 5/16-18 x 1-1/2 Hex Head Cap, GR 5	
5	7091601	8	NUT, 5/16-18 Hex Flange Lock, GR 5	
6	7033686	1	DECAL, Warning - Leaf Blower	
7	7091513	4	SCREW, 5/16-24 x 1-3/4" Hex Head Cap, GR 5	
8	7091527	4	SCREW, 5/16-18 x 1-1/4", Hex Head Cap, GR 5	
9	7010210	1	KEY, 1/4" Square x 2"	or 7012315 (1-7/16" long)
10	3071776	4	KNOB, Fluted (5/16-18 thread)	
11	3021598	1	ASSEMBLY, 15" 9 Blade Impeller	includes 11A, 11B & 3 ea. Items 8 & 37
11A	3021595	1	IMPELLER, Cast, 15" O.D.	aluminum with 9 curved blades
11B	3021596	1	HUB, Taper-Lok, Type 1 - P1 x 1.000	(1.938 OAL)
12	3020233	1	WELDMENT, Intake Baffle - Extreme	
13A	7091511	8	NUT, 5/16-18 Hex, GR 5 or B	Used on Early version Housing
13B	7091318	10	SCREW, 5/16-18 x 3/4" Hex Head Cap, GR 5	Used on Late version Housing
14	3024500	1	DEFLECTOR, Side Air	
15	7091523	4	SCREW, 5/16-18 x 5/8" Hex Washer Self-Tap	
16	7046465	1	GUIDE, Rope (1/4-20 thread)	
17	3024501	1	WELDMENT, Door Front/Side Discharge	
18	3031014	1	BUSHING, Steel .250 IDx.375 ODx.25 Long	
19	7027223	1	WASHER, 1/4" Split Lock	
20	7091495	1	SCREW, 1/4-20 x 3/4" Hex Head Cap, GR 5	
21	3071782	1	SPRING, Extension	
22	3031103	1	KNOB, Ball - 3/8-16 Metal Insert	
23	3034053	1	TUBE, Front Wheel - Extreme	
24	7090372	1	NUT, 1/4-20 Hex Center Lock, GR 5 or B	
25	3033276	2	ASSY., Wheel & Tire 4.10/3.50-4 "Flatfree"	
--	3033151	4	BALL BEARING, 5/8 x1-3/8 (Not shown, part of 25)	was 3033107
26	7091628	2	WASHER, .64 x .99 x .05 Flat	
27	7012763	2	RING, External Retaining	(TRU1500-62)
28	3033186	1	BRACKET, Front Wheel Mounting	
29A	7091302	3	NUT, 3/8-16 Hex, GR 5 or B	
29B	7091304	3	SCREW, 3/8-16 x 1" Hex Head Cap, GR 5	
30	7091320	3	WASHER, 3/8" Split Lock	
31	7090517	3	WASHER, 3/8" Flat	
32	3033300	1	ASSY., Tire & Wheel 9 x 3.50-4 "Flatfree"	
33	7091822	1	BOLT, 1/2-13 x 5" Hex Head Cap	
34	7091894	1	NUT, 1/2-13 Hex Center Lock, GR 5	
35	7033753	1	HANDLE, Lower Folding - Wide - Blower	

Footnotes:

NOTE * Purchase engine components directly from engine manufacturer dealer.

GIANT-VAC MODEL LBX9151H



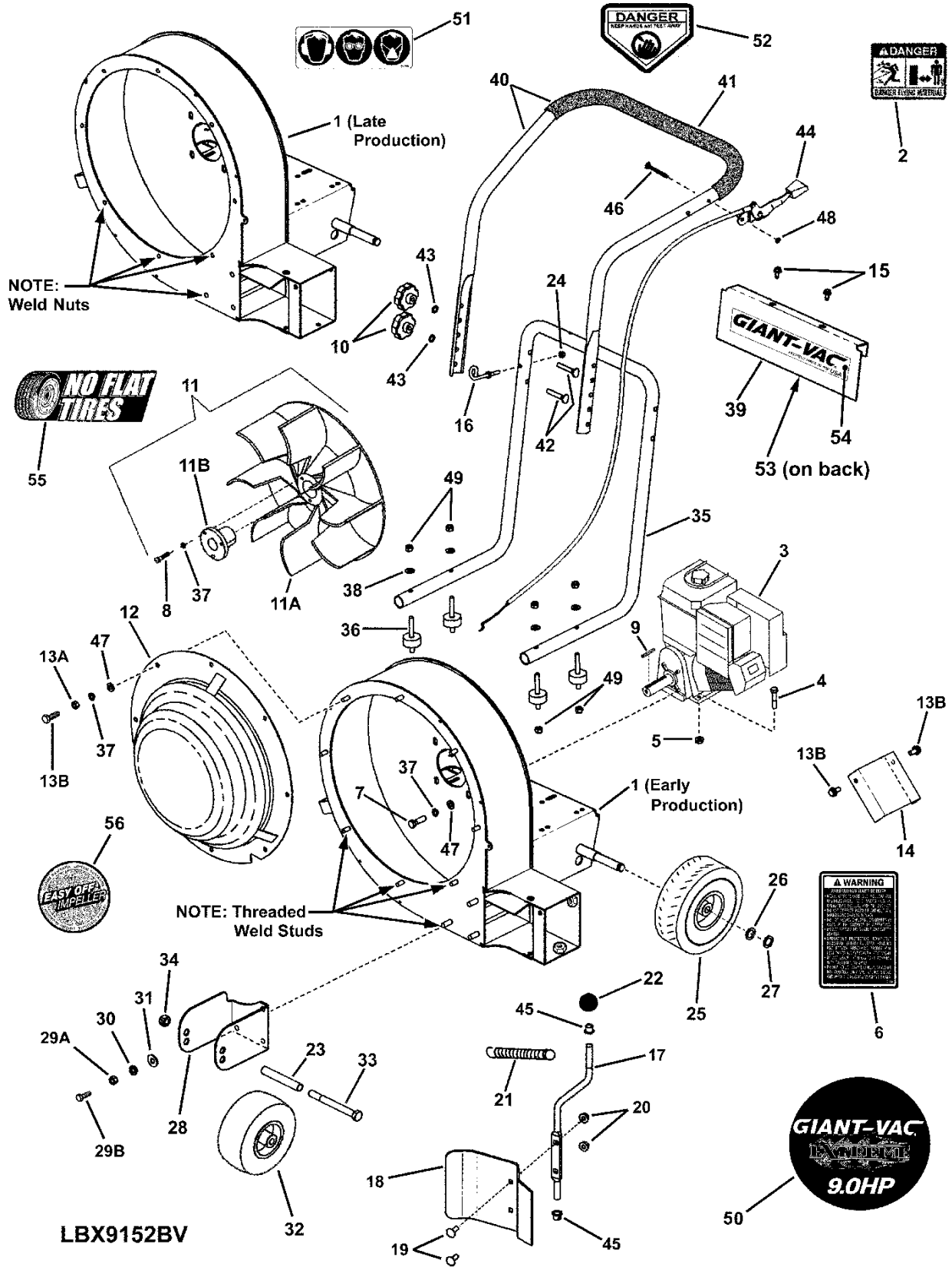
GIANT-VAC MODEL LBX9151H

Item	Part No	Qty	Description	Note
36	3032160	4	MOUNT, Vibration (5/16-18, both ends)	
37	7091315	17	WASHER, 5/16" Split Lock	
38	1717312	4	WASHER, 5/16" Curved	
39	7033866	1	DASH PANEL, Blower - Wide	
40	3023276	1	ASSY, Upper Handle & Grip - Wide	(p/n 7033696 + grip)
41	7074422	1	GRIP, 1.0 x 21-1/2" Foam	
42	7091189	4	BOLT, 5/16-18 x 2", Curved Hd. Sq. Neck	
43	7090391	4	WASHER, 5/16" Internal Tooth Lock	
44	3071798	1	THROTTLE CONTROL, Honda (36/0.68)	
45	3031220	1	BUSHING .375x.500x.25 (.625x.063 Flange)	<i>This bushing is part of item 17 on some models.</i>
46	7090505	1	SCREW, 1/4-20 x 2" Hex Head Cap, GR 5	
47	7090188	14	WASHER, .34 x .69 x .08 Flat	
48	7076978	1	NUT, 1/4-20 Hex Nyloc	
49	7091298	8	NUT, 5/16-18 Hex Nyloc	
50	3046584	1	DECAL, 9 HP Extreme	
51	7075893	1	DECAL, Personal Protection	
52	7013010	1	DECAL, Danger, Cut Finger	
53	7029445	1	DECAL, GIANT-VAC (Small)	
54	7075861	1	DECAL, GIANT VAC	
55	3031814	4	SPACER, .375 ID x .750 OD x .805 LG ZP	
56	3079268	1	DECAL, No Flat Tire	
57	3079269	1	DECAL, Easy Off Impeller	

Footnotes:

NOTE * Purchase engine components directly from engine manufacturer dealer.

GIANT-VAC MODEL LBX9152BV



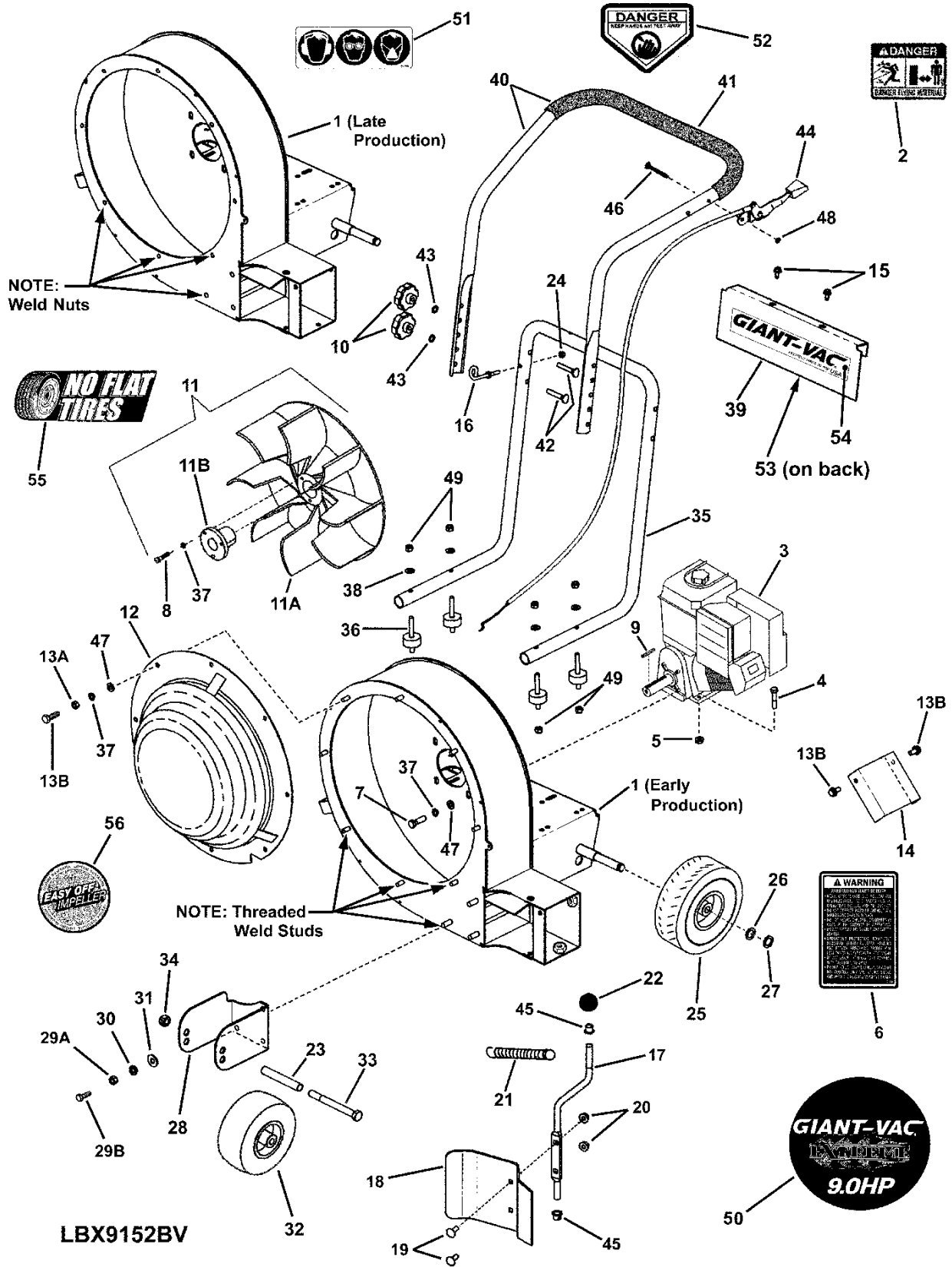
GIANT-VAC MODEL LBX9152BV

Item	Part No	Qty	Description	Note
1	7043268	1	WELDMENT, Housing - Extreme Blower	
2	7033874	1	DECAL, Thrown Objects, Large	
3	--	1	* ENGINE, B&S 9HP Mod 185432-0571-E1	<i>Vanguard</i>
4	7091540	4	SCREW, 5/16-18 x 1-1/2 Hex Head Cap, GR 5	
5	7091601	8	NUT, 5/16-18 Hex Flange Lock, GR 5	
6	7033686	1	DECAL, Warning - Leaf Blower	
7	1921982	4	SCREW, 5/16-24 x 1-1/4" Hex Head Cap, GR 5	
8	7091527	4	SCREW, 5/16-18 x 1-1/4" Hex Head Cap, GR 5	
9	7010210	1	KEY, 1/4" Square x 2"	
10	3071776	4	KNOB, Fluted (5/16-18 thread)	
11	3021598	1	ASSEMBLY, 15" 9 Blade Impeller	<i>includes 11A, 11B & 3 ea. Items 8 & 37</i>
11A	3021595	1	IMPELLER, Cast, 15" O.D.	<i>aluminum with 9 curved blades</i>
11B	3021596	1	HUB, Taper-Lok, Type 1 - P1 x 1.000	<i>(1.938 OAL)</i>
12	3020233	1	WELDMENT, Intake Baffle - Extreme	
13A	7091511	8	NUT, 5/16-18 Hex, GR 5 or B	<i>Used on Early version Housing</i>
13B	7091318	10	SCREW, 5/16-18 x 3/4" Hex Head Cap, GR 5	<i>Used on Late version Housing</i>
14	7078106	1	DEFLECTOR, Side Air	
15	7091523	2	SCREW, 5/16-18 x 5/8" Hex Washer Self-Tap	
16	7046465	1	GUIDE, Rope (1/4-20 thread)	
17	7078149	1	ROD, Door Front/Side Discharge	
18	7078150	1	DOOR, Forward Air Control	
19	7091530	2	SCREW, 1/4-20 x 3/4" Short Sq. Neck Carriage	<i>Grade 5</i>
20	7091584	2	NUT, 1/4-20 Hex Flange Lock, GR 5	
21	3071782	1	SPRING, Extension	
22	3031103	1	KNOB, Ball - 3/8-16 Metal Insert	
23	7022151	1	SLEEVE, Axle	
24	7090372	1	NUT, 1/4-20 Hex Center Lock, GR 5 or B	
25	3033276	2	ASSY., Wheel & Tire 4.10/3.50-4 "Flatfree"	
--	3033151	4	BALL BEARING, 5/8 x1-3/8 (Not shown, part of 25)	<i>was 3033107</i>
26	7091628	2	WASHER, .64 x .99 x .05 Flat	
27	7012763	2	RING, External Retaining	<i>(TRU1500-62)</i>
28	7078139	1	BRACKET, Front Wheel Mounting	
29A	7091302	3	NUT, 3/8-16 Hex, GR 5 or B	
29B	7091304	3	SCREW, 3/8-16 x 1" Hex Head Cap, GR 5	
30	7091320	3	WASHER, 3/8" Split Lock	
31	7090517	3	WASHER, 3/8" Flat	
32	3033300	1	ASSY., Tire & Wheel 9 x 3.50-4 "Flatfree"	
33	7091822	1	BOLT, 1/2-13 x 5" Hex Head Cap	
34	7091894	1	NUT, 1/2-13 Hex Center Lock, GR 5	
35	7033753	1	HANDLE, Lower Folding - Wide - Blower	

Footnotes:

NOTE * Purchase engine components directly from engine manufacturer dealer.

GIANT-VAC MODEL LBX9152BV



LBX9152BV

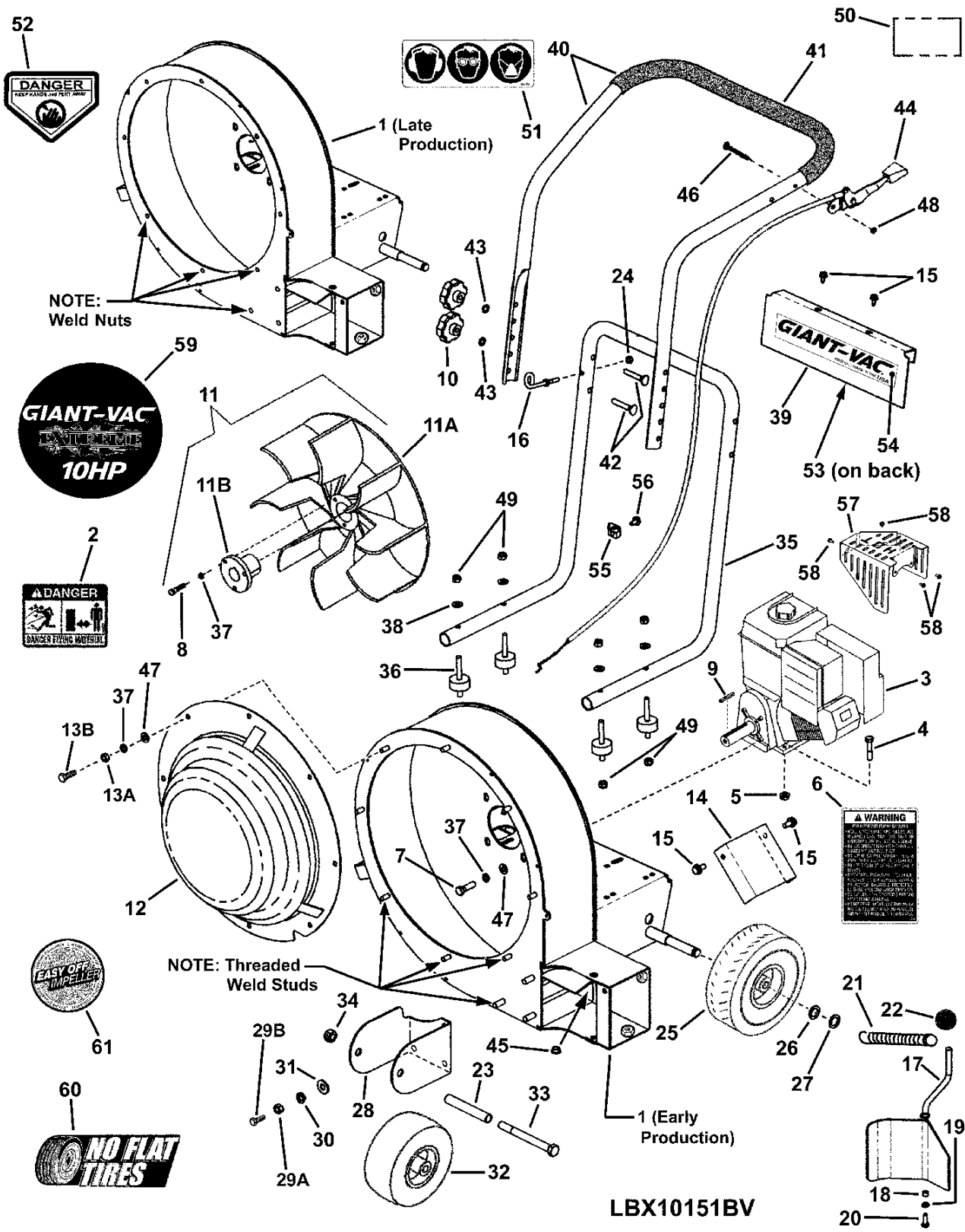
GIANT-VAC MODEL LBX9152BV

Item	Part No	Qty	Description	Note
36	3032160	4	MOUNT, Vibration (5/16-18, both ends)	
37	7091315	15	WASHER, 5/16" Split Lock	
38	1717312	4	WASHER, 5/16" Curved	
39	7033866	1	DASH PANEL, Blower - Wide	
40	3023276	1	ASSY, Upper Handle & Grip	(p/n 7033696 + grip)
41	7074422	1	GRIP, 1.0 x 21-1/2" Foam	
42	7091189	4	BOLT, 5/16-18 x 2", Curved Head Sq. Neck	
43	7090391	4	WASHER, 5/16" Internal Tooth Lock	
44	7078127	1	THROTTLE CONTROL, 29.25/2.12	
45	7078169	2	BEARING, 3/8" Clip	
46	7090505	1	SCREW, 1/4-20 x 2" Hex Head Cap, GR 5	
47	7090188	12	WASHER, .34 x .69 x .08 Flat	
48	7076978	1	NUT, 1/4-20 Hex Nyloc	
49	7091298	8	NUT, 5/16-18 Hex Nyloc	
50	3046584	1	DECAL, 9 HP Extreme	
51	7075893	1	DECAL, Personal Protection	
52	7013010	1	DECAL, Danger, Cut Finger	
53	7029445	1	DECAL, GIANT-VAC (Small)	
54	7075861	1	DECAL, GIANT VAC	
55	3079268	1	DECAL, No Flat Tire	
56	3079269	1	DECAL, Easy Off Impeller	

Footnotes:

NOTE * Purchase engine components directly from engine manufacturer dealer.

GIANT-VAC MODEL LBX10151BV



GIANT-VAC MODEL LBX10151BV

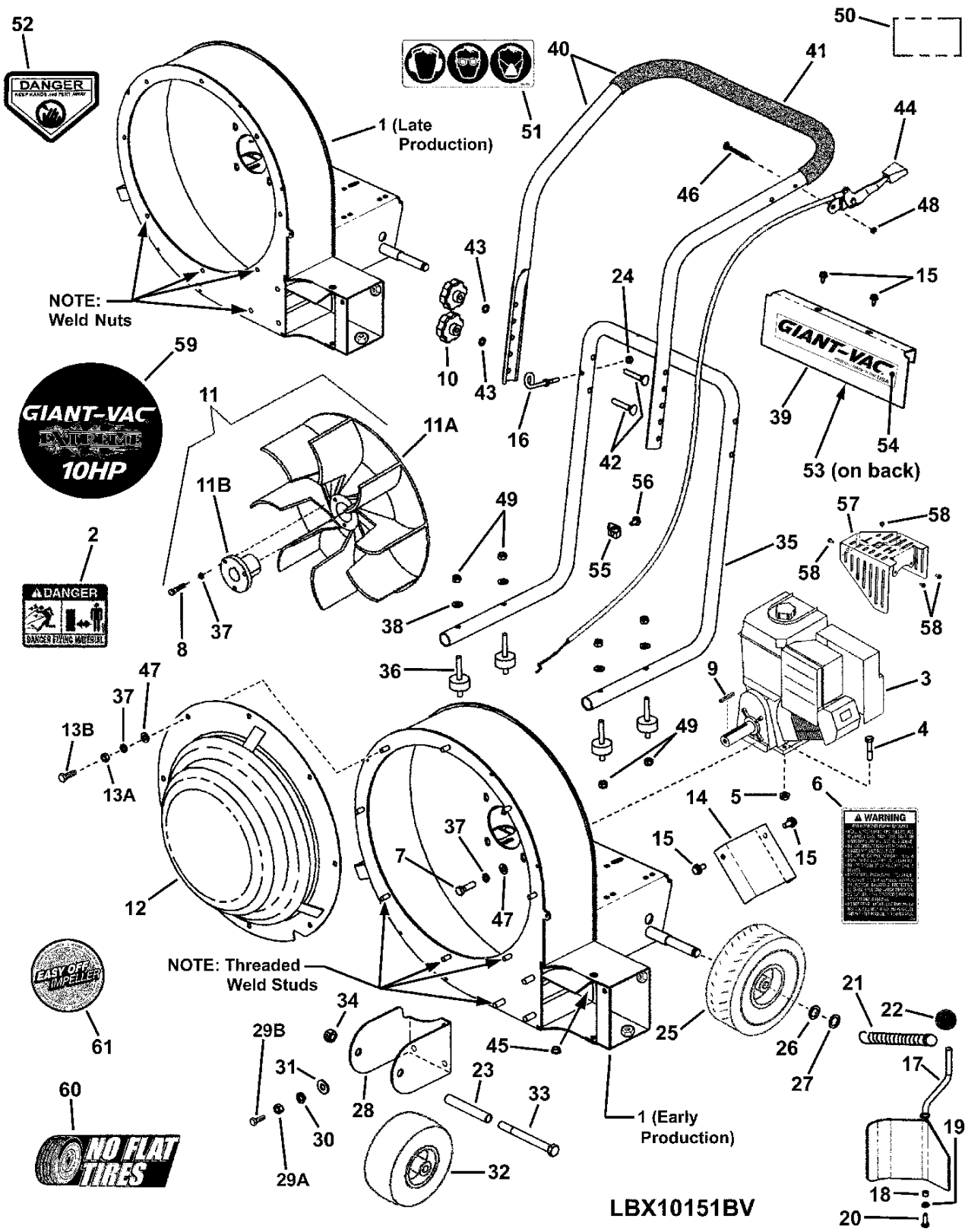
Item	Part No	Qty	Description	Note
1	3010267	1	WELDMENT, Housing - Extreme Blower	
2	7033874	1	DECAL, Thrown Objects, Large	
3	--	1	* ENGINE, B&S 10HP Mod 205412-0121-E1	<i>Intek OHV</i>
4	7091540	4	SCREW, 5/16-18 x 1-1/2 Hex Head Cap, GR 5	
5	7091601	4	NUT, 5/16-18 Hex Flange Lock, GR 5	
6	7033686	1	DECAL, Warning - Leaf Blower	
7	7090238	4	SCREW, 5/16-24 x 1" Hex Head Cap, GR 5	<i>or 7091513 (1-3/4" long)</i>
8	7091527	4	SCREW, 5/16-18 x 1-1/4", Hex Head Cap, GR 5	
9	7012315	1	KEY, 1/4" Square x 1-7/16"	
10	3071776	4	KNOB, Fluted (5/16-18 thread)	
11	3021599	1	ASSEMBLY, 15" 9 Blade Impeller	<i>includes 11A, 11B & 3 ea. Items 8 & 37</i>
11A	3021595	1	IMPELLER, Cast, 15" O.D.	<i>aluminum with 9 curved blades</i>
11B	3021597	1	HUB, Taper-Lok, Type 1 - P1 x 1.125	<i>(1.938 OAL)</i>
12	3020233	1	WELDMENT, Intake Baffle - Extreme	
13A	7091511	8	NUT, 5/16-18 Hex, GR 5 or B	<i>Used on Early version Housing</i>
13B	7091318	10	SCREW, 5/16-18 x 3/4" Hex Head Cap, GR 5	<i>Used on Late version Housing</i>
14	3024500	1	DEFLECTOR, Side Air	
15	7091523	4	SCREW, 5/16-18 x 5/8" Hex Washer Self-Tap	
16	7046465	1	GUIDE, Rope (1/4-20 thread)	
17	3024501	1	** WELDMENT, Door Front/Side Discharge	
18	3031014	1	BUSHING, Steel .250 IDx.375 ODx.25 Long	
19	7027223	1	WASHER, 1/4" Split Lock	
20	7091495	1	SCREW, 1/4-20 x 3/4" Hex Head Cap, GR 5	
21	3071782	1	SPRING, Extension	
22	3031103	1	KNOB, Ball - 3/8-16 Metal Insert	
23	3034053	1	TUBE, Front Wheel - Extreme	
24	7090372	1	NUT, 1/4-20 Hex Center Lock, GR 5 or B	
25	3033276	2	ASSY., Wheel & Tire 4.10/3.50-4 "Flatfree"	
--	3033151	4	BALL BEARING, 5/8 x1-3/8 (Not shown, part of 25)	<i>was 3033107</i>
26	7091628	2	WASHER, .64 x .99 x .05 Flat	
27	7012763	2	RING, External Retaining	<i>(TRU1500-62)</i>
28	3033186	1	BRACKET, Front Wheel Mounting	
29A	7091302	3	NUT, 3/8-16 Hex, GR 5 or B	
29B	7091304	3	SCREW, 3/8-16 x 1" Hex Head Cap, GR 5	
30	7091320	3	WASHER, 3/8" Split Lock	
31	7090517	3	WASHER, 3/8" Flat	
32	3033300	1	ASSY., Tire & Wheel 9 x 3.50-4 "Flatfree"	
33	7091822	1	BOLT, 1/2-13 x 5" Hex Head Cap	
34	7091894	1	NUT, 1/2-13 Hex Center Lock, GR 5	
35	7033753	1	HANDLE, Lower Folding - Wide - Blower	

Footnotes:

NOTE * Purchase engine components directly from engine manufacturer dealer.

NOTE ** Some early versions of item 17 may lack bushing (3031220).

GIANT-VAC MODEL LBX10151BV



GIANT-VAC MODEL LBX10151BV

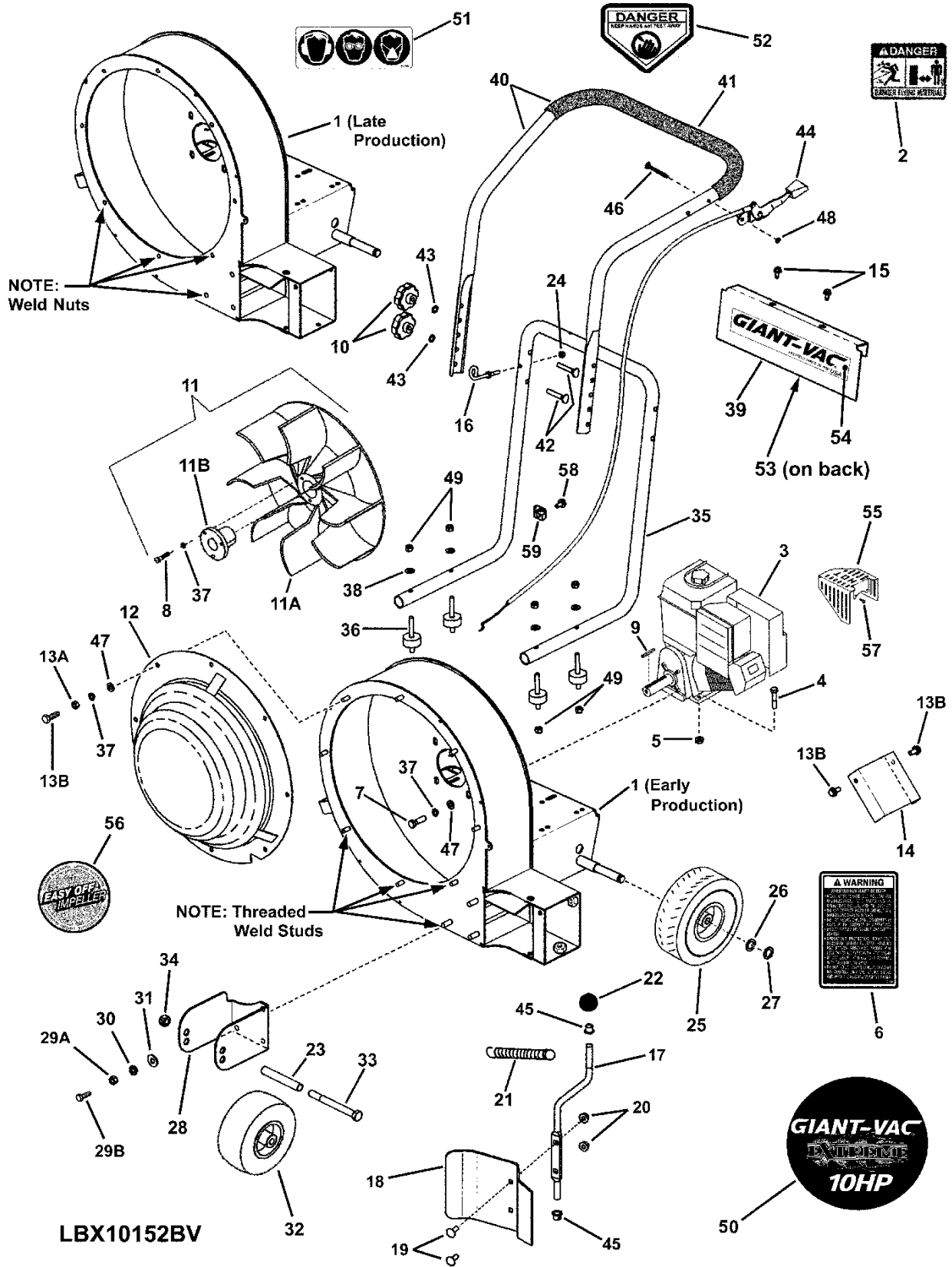
Item	Part No	Qty	Description	Note
36	3032160	4	MOUNT, Vibration (5/16-18, both ends)	
37	7091315	15	WASHER, 5/16" Split Lock	
38	1717312	4	WASHER, 5/16" Curved	
39	7033866	1	DASH PANEL, Blower - Wide	
40	3023276	1	ASSY, Upper Handle & Grip - Wide	<i>(p/n 7033696 + grip)</i>
41	7074422	1	GRIP, 1.0 x 21-1/2" Foam	
42	7091189	4	BOLT, 5/16-18 x 2", Curved Hd. Sq. Neck	
43	7090391	4	WASHER, 5/16" Internal Tooth Lock	
44	3071800	1	THROTTLE CONTROL, (35/1.62) Briggs	
45	3031220	1	BUSHING .375x.500x.25 (.625x.063 Flange)	<i>This bushing is part of item 17 on some models.</i>
46	7090505	1	SCREW, 1/4-20 x 2" Hex Head Cap, GR 5	
47	7090188	10	WASHER, .34 x .69 x .08 Flat	
48	7076978	1	NUT, 1/4-20 Hex Nyloc	
49	7091298	8	NUT, 5/16-18 Hex Nyloc	
50	3079209	1	DECAL, 10HP B&S Intek	<i>Briggs p/n 274025</i>
51	7075893	1	DECAL, Personal Protection	
52	7013010	1	DECAL, Danger, Cut Finger	
53	7029445	1	DECAL, GIANT-VAC (Small)	
54	7075861	1	DECAL, GIANT VAC	
55	3071814	1	CASING CLAMP, B&S Intek Engine	
56	3071815	1	SCREW, Casing Clamp - B&S Intek Engine	
57	3071833	1	HEAT SHIELD, B&S 9 & 10 HP Intek Engines	
58	7091581	4	SCREW, #8-18 x 1/2" Hex Head Sheet Metal	
59	3046585	1	DECAL, 10 HP Extreme	
60	3079268	1	DECAL, No Flat Tire	
61	3079269	1	DECAL, Easy Off Impeller	

Footnotes:

NOTE * Purchase engine components directly from engine manufacturer dealer.

NOTE ** Some early versions of item 17 may lack bushing (3031220).

GIANT-VAC MODEL LBX10152BV



GIANT-VAC MODEL LBX10152BV

Item	Part No	Qty	Description	Note
1	7043267	1	WELDMENT, Housing- Extreme Blower	
2	7033874	1	DECAL, Thrown Objects, Large	
3	--	1	* ENGINE, B&S 10HP Mod 205412-0121-E1	<i>Intek OHV</i>
4	7091540	4	SCREW, 5/16-18 x 1-1/2 Hex Head Cap, GR 5	
5	7091601	8	NUT, 5/16-18 Hex Flange Lock, GR 5	
6	7033686	1	DECAL, Warning - Leaf Blower	
7	7090238	4	SCREW, 5/16-24 x 1" Hex Head Cap, GR 5	
8	7091527	3	SCREW, 5/16-18 x 1-1/4", Hex Head Cap, GR 5	
9	7012315	1	KEY, 1/4" Square x 1-7/16"	
10	3071776	4	KNOB, Fluted (5/16-18 thread)	
11	3021599	1	ASSEMBLY, 15" 9 Blade Impeller	<i>includes 11A, 11B & 3 ea. Items 8 & 37</i>
11A	3021595	1	IMPELLER, Cast, 15" O.D.	<i>aluminum with 9 curved blades</i>
11B	3021597	1	HUB, Taper-Lok, Type 1	<i>P1 x 1.125 (1.938 OAL)</i>
12	3020233	1	WELDMENT, Intake Baffle - Extreme	
13A	7091511	8	NUT, 5/16-18 Hex, GR 5 or B	<i>Used on Early version Housing</i>
13B	7091318	10	SCREW, 5/16-18 x 3/4" Hex Head Cap, GR 5	<i>Used on Late version Housing</i>
14	7078106	1	DEFLECTOR, Side Air	
15	7091523	2	SCREW, 5/16-18 x 5/8" Hex Washer Self-Tap	
16	7046465	1	GUIDE, Rope (1/4-20 thread)	
17	7078149	1	ROD, Door Front/Side Discharge	
18	7078150	1	DOOR, Forward Air Control	
19	7091530	2	SCREW, 1/4-20 x 3/4" Short Sq. Neck Carriage	<i>Grade 5</i>
20	7091584	2	NUT, 1/4-20 Hex Flange Lock, GR 5	
21	3071782	1	SPRING, Extension	
22	3031103	1	KNOB, Ball - 3/8-16 Metal Insert	
23	7022151	1	SLEEVE, Axle	
24	7090372	1	NUT, 1/4-20 Hex Center Lock, GR 5 or B	
25	3033001	2	ASSY., Wheel & Tire Sawtooth 4.10/3.50-4	<i>Kenda</i>
25	3033276	2	ASSY., Wheel & Tire (Flatfree) 4.10/3.50-4	
25A	3033151	4	BALL BEARING, 5/8 x1-3/8 (Not shown, part of item 25)	<i>was 3033107</i>
26	7091628	2	WASHER, .64 x .99 x .05 Flat	
27	7012763	2	RING, External Retaining	<i>(TRU1500-62)</i>
28	7078139	1	BRACKET, Front Wheel Mounting	<i>was 3033186</i>
29A	7091302	3	NUT, 3/8-16 Hex, GR 5 or B	
29B	7091304	3	SCREW, 3/8-16 x 1" Hex Head Cap, GR 5	
30	7091320	3	WASHER, 3/8" Split Lock	
31	7090517	3	WASHER, 3/8" Flat	
32	7058167	1	ASSY., Tire & Wheel 9 x 3.50-4 Smooth	<i>Wheel Assembly Includes 32A - 32F Shown below.</i>
32	3033300	1	ASSY., Tire & Wheel 9 x 3.50-4 "Flatfree"	
32A	7075553	1	*** RIM, One-Piece Steel, Gray	

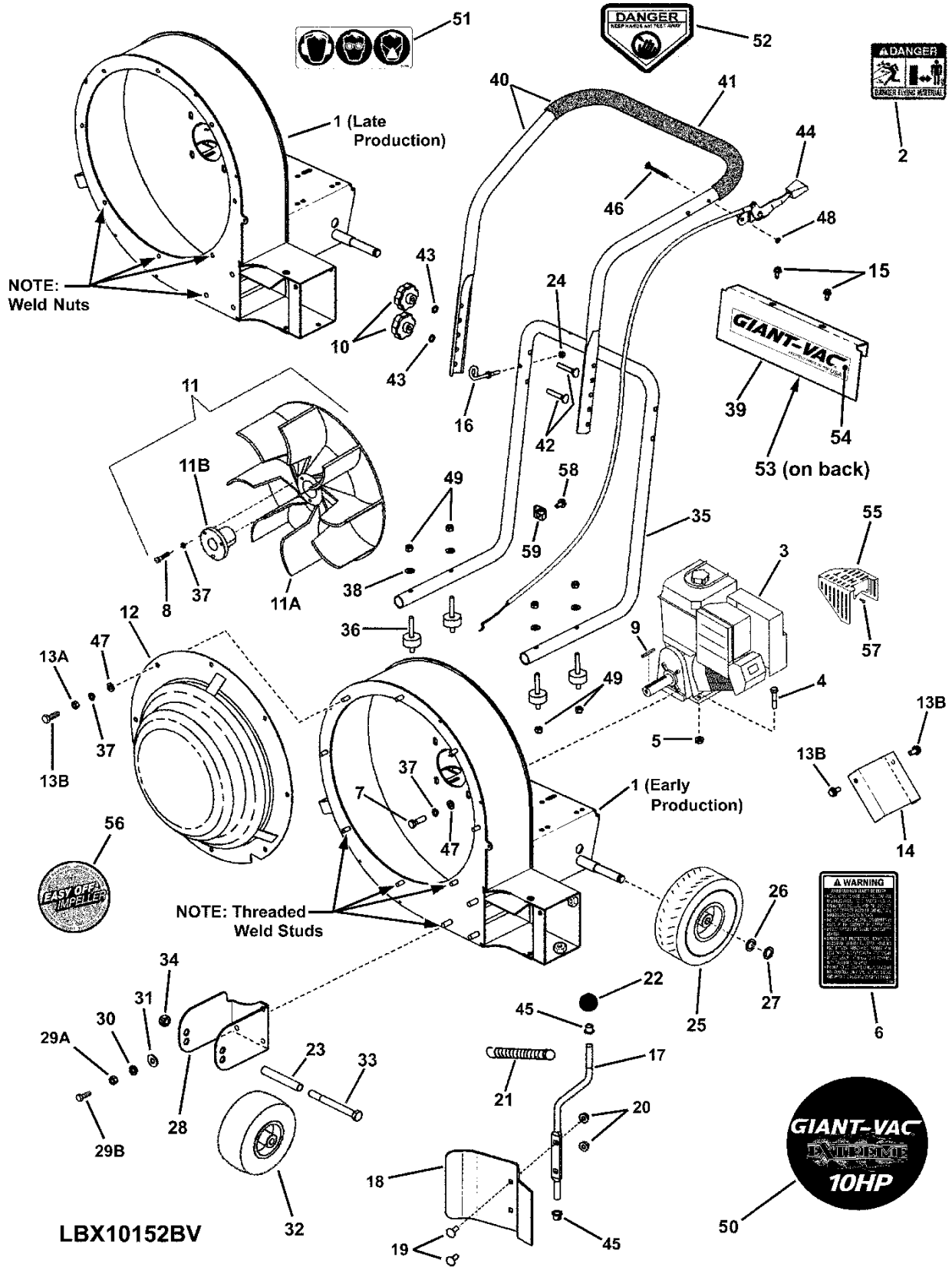
Footnotes:

NOTE * Purchase engine components directly from engine manufacturer dealer.

NOTE ** Includes tire, rim, air valve, grease fitting & 2 ball bearings.

NOTE *** Not shown separately (part of item 32)

GIANT-VAC MODEL LBX10152BV



GIANT-VAC MODEL LBX10152BV

Item	Part No	Qty	Description	Note
32B	7029870	1	*** TIRE, 9 x 3.50-4, 4 Ply, Smooth	
32C	7022395	1	*** BEARING, Roller	
32D	7022394	2	*** BALL BEARING, Flanged	<i>per tire assembly</i>
32E	7012234	1	*** VALVE, Air	
32F	7046430	1	*** GREASE FITTING, 45-Degree	
33	7091822	1	BOLT, 1/2-13 x 5" Hex Head Cap	
34	7091894	1	NUT, 1/2-13 Hex Center Lock, GR 5	
35	7033753	1	HANDLE, Lower Folding - Wide - Blower	
36	3032160	4	MOUNT, Vibration (5/16-18, both ends)	
37	7091315	15	WASHER, 5/16" Split Lock	
38	1717312	4	WASHER, 5/16" Curved	
39	7033866	1	DASH PANEL, Blower - Wide	
40	3023276	1	ASSY, Upper Handle & Grip	<i>(p/n 7033696 + grip)</i>
41	7074422	1	GRIP, 1.0 x 21-1/2" Foam	
42	7091189	4	BOLT, 5/16-18 x 2", Curved Head Sq. Neck	
43	7090391	4	WASHER, 5/16" Internal Tooth Lock	
44	3071800	1	THROTTLE CONTROL, (35/1.62) Briggs	
45	7078169	2	BEARING, 3/8" Clip	
46	7090505	1	SCREW, 1/4-20 x 2" Hex Head Cap, GR 5	
47	7090188	12	WASHER, .34 x .69 x .08 Flat	
48	7076978	1	NUT, 1/4-20 Hex Nyloc	
49	7091298	8	NUT, 5/16-18 Hex Nyloc	
50	3046585	1	DECAL, Giant-Vac, 10HP Extreme	
51	7075893	1	DECAL, Personal Protection	
52	7013010	1	DECAL, Danger, Cut Finger	
53	7029445	2	DECAL, GIANT-VAC (Small)	
54	7075861	1	DECAL, GIANT VAC	
55	3071833	1	HEAT SHIELD, B&S 9 & 10 HP Intek	
56	3079269	1	DECAL, Easy Off Impeller	
57	7091581	4	SCREW, #8-18 x 1/2" Hex Head Sheet Metal	
58	3071815	1	SCREW, Casing Clamp - B&S Intek Engine	
59	3071814	1	CASING CLAMP, B&S Intek Engine	

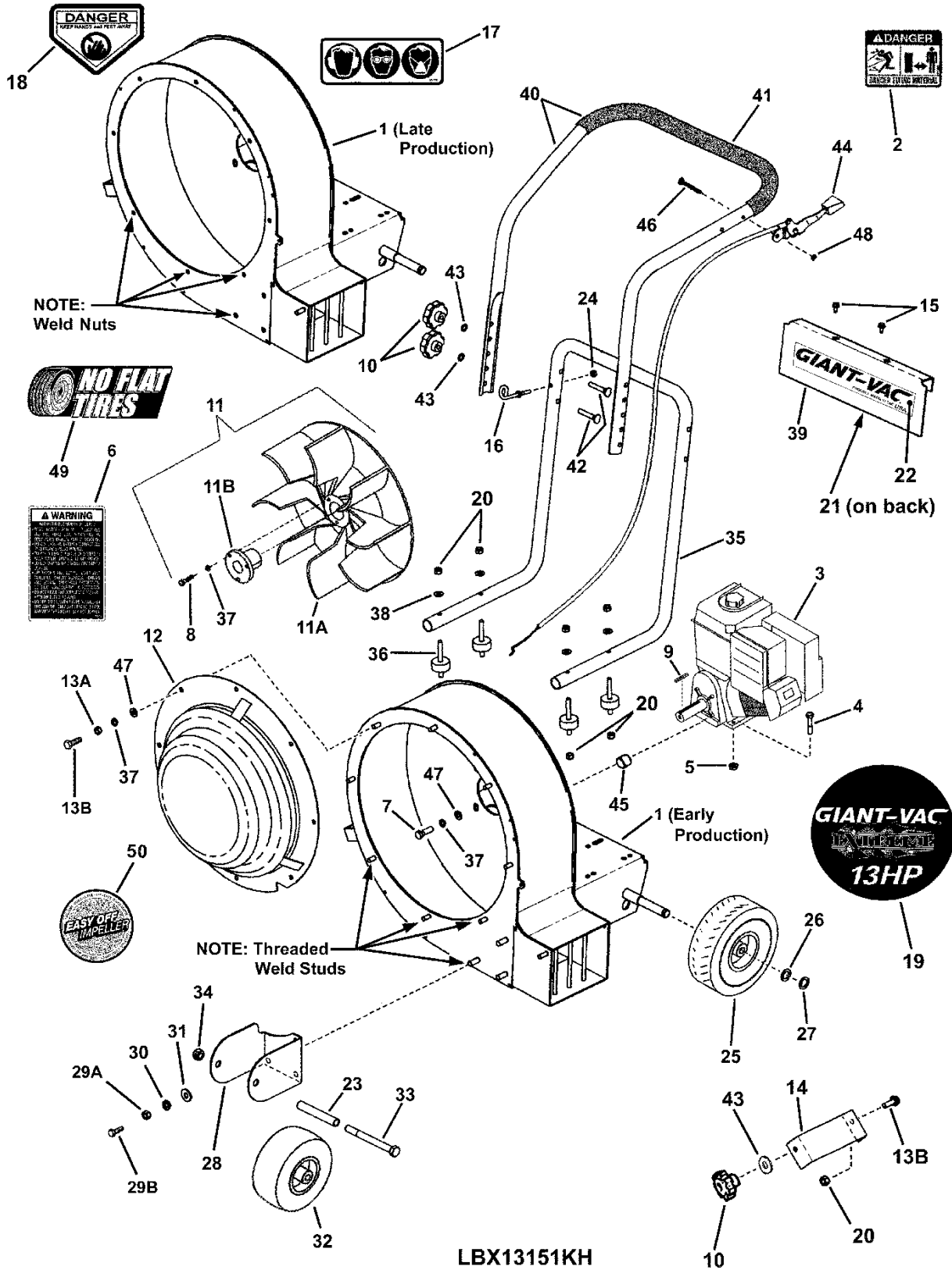
Footnotes:

NOTE * Purchase engine components directly from engine manufacturer dealer.

NOTE ** Includes tire, rim, air valve, grease fitting & 2 ball bearings.

NOTE *** Not shown separately (part of item 32)

GIANT-VAC MODEL LBX13151KH



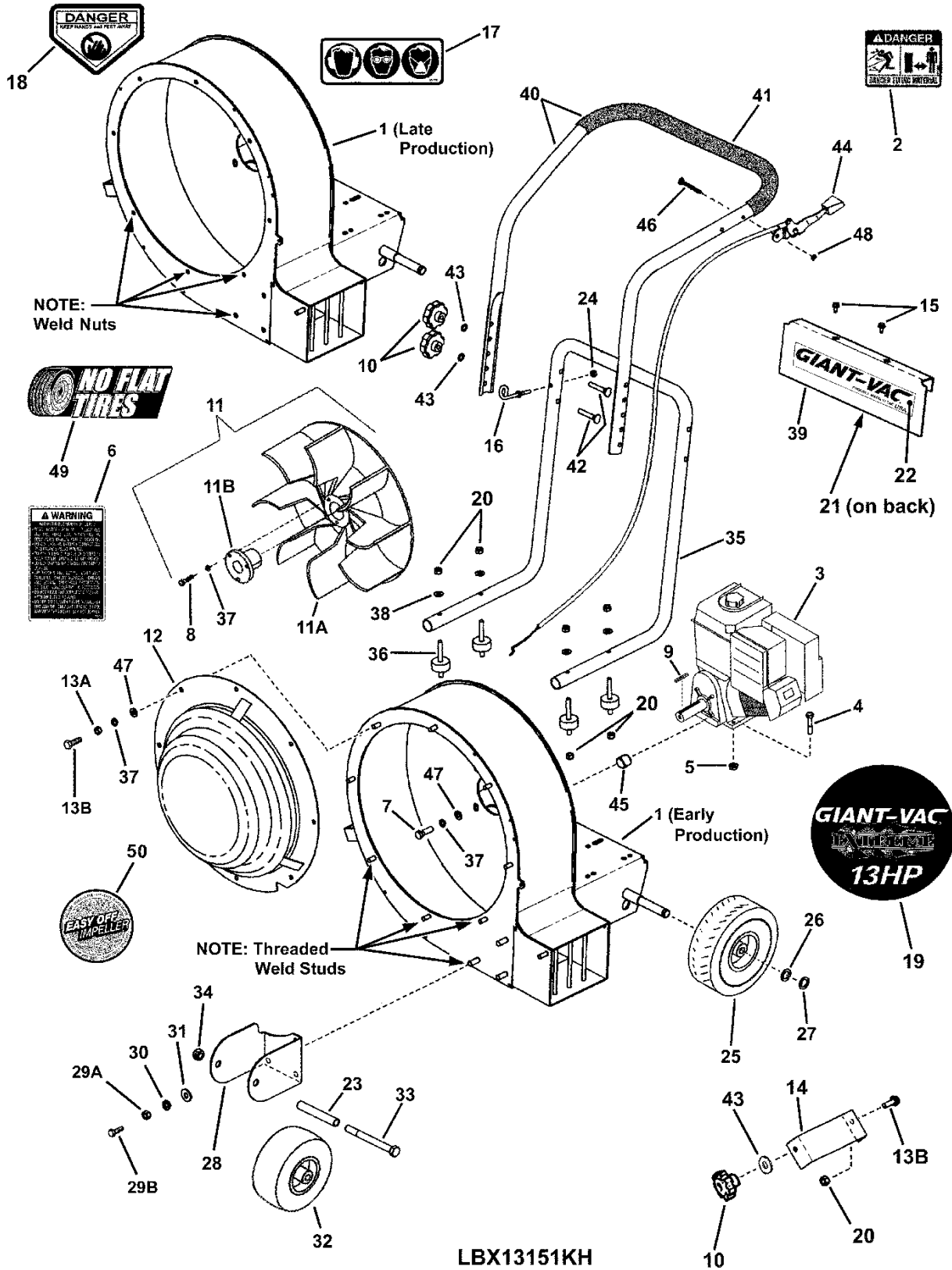
GIANT-VAC MODEL LBX13151KH

Item	Part No	Qty	Description	Note
1	3010269	1	WELDMENT, Housing - Extreme Blower	
2	7033874	1	DECAL, Thrown Objects, Large	
3	--	1	* ENGINE, Kohler 13HP, Model CS12T	
4	7091540	4	SCREW, 5/16-18 x 1-1/2 Hex Head Cap, GR 5	
5	7091601	8	NUT, 5/16-18 Hex Flange Lock, GR 5	
6	7033686	1	DECAL, Warning - Leaf Blower	
7	7091513	4	SCREW, 5/16-24 x 1-3/4" Hex Head Cap, GR 5	or 1921982 (HHCS, 5/16-24 x 1-1/4")
8	7091527	4	SCREW, 5/16-18 x 1-1/4", Hex Head Cap, GR 5	
9	7010210	1	KEY, 1/4" Square x 2"	
10	3071776	5	KNOB, Fluted (5/16-18 thread)	
11	3021598	1	ASSEMBLY, 15" 9 Blade Impeller	includes 11A, 11B & 3 ea. Items 8 & 37
11A	3021595	1	IMPELLER, Cast, 15" O.D.	aluminum with 9 curved blades
11B	3021596	1	HUB, Taper-Lok, Type 1 - P1 x 1.000	(1.938 OAL)
12	3020233	1	WELDMENT, Intake Baffle - Extreme	
13A	7091511	8	NUT, 5/16-18 Hex, GR 5 or B	Used on Early version Housing
13B	7091318	10	SCREW, 5/16-18 x 3/4" Hex Head Cap, GR 5	Used on Late version Housing
14	3024658	1	DEFLECTOR, Side Air	
15	7091523	2	SCREW, 5/16-18 x 5/8" Hex Washer Self-Tap	
16	7046465	1	GUIDE, Rope (1/4-20 thread)	
17	7075893	1	DECAL, Personal Protection	
18	7013010	1	DECAL, Danger, Cut Finger	
19	3046586	1	DECAL, 13HP Extreme	
20	7091298	8	NUT, 5/16-18 Hex Nyloc	
21	7029445	1	DECAL, GIANT-VAC (Small)	
22	7075861	1	DECAL, GIANT VAC	
23	3034053	1	TUBE, Front Wheel - Extreme	
24	7090372	1	NUT, 1/4-20 Hex Center Lock, GR 5 or B	
25	3033276	2	ASSY., Wheel & Tire 4.10/3.50-4 "Flatfree"	
--	3033151	4	BALL BEARING, 5/8 x1-3/8 (Not shown, part of 25)	was 3033107
26	7091628	2	WASHER, .64 x .99 x .05 Flat	
27	7012763	2	RING, External Retaining	(TRU1500-62)
28	3033186	1	BRACKET, Front Wheel Mounting	
29A	7091302	3	NUT, 3/8-16 Hex, GR 5 or B	
29B	7091304	3	SCREW, 3/8-16 x 1" Hex Head Cap, GR 5	
30	7091320	3	WASHER, 3/8" Split Lock	
31	7090517	3	WASHER, 3/8" Flat	
32	3033300	1	ASSY., Tire & Wheel 9 x 3.50-4 "Flatfree"	
33	7091822	1	BOLT, 1/2-13 x 5" Hex Head Cap	
34	7091894	1	NUT, 1/2-13 Hex Center Lock, GR 5	
35	7033753	1	HANDLE, Lower Folding - Wide - Blower	

Footnotes:

NOTE * Purchase engine components directly from engine manufacturer dealer.

GIANT-VAC MODEL LBX13151KH



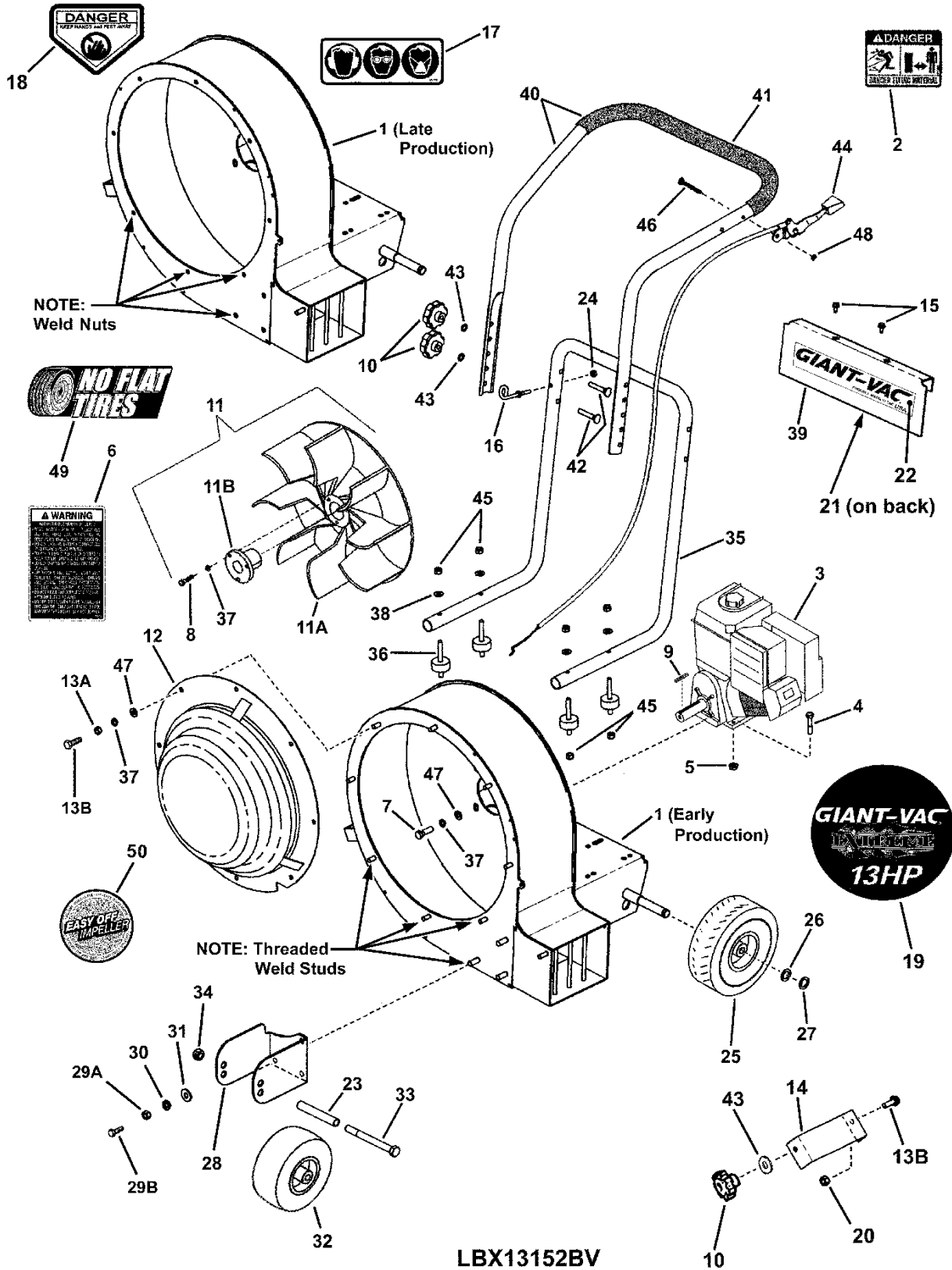
GIANT-VAC MODEL LBX13151KH

Item	Part No	Qty	Description	Note
36	3032160	4	MOUNT, Vibration (5/16-18, both ends)	
37	7091315	15	WASHER, 5/16" Split Lock	
38	1717312	4	WASHER, 5/16" Curved	
39	7033866	1	DASH PANEL, Blower - Wide	
40	3023276	1	ASSY, Upper Handle & Grip - Wide	(p/n 7033696 + grip)
41	7074422	1	GRIP, 1.0 x 21-1/2" Foam	
42	7091189	4	BOLT, 5/16-18 x 2", Curved Hd. Sq. Neck	
43	7090391	5	WASHER, 5/16" Internal Tooth Lock	
44	3071799	1	THROTTLE CONTROL, Kohler (35.24/3)	
45	3031813	4	SPACER, .375 I.D. x .750 O.D. x .5	
45	3031814	4	SPACER, .375 I.D. x .750 O.D. x .750	
46	7090505	1	SCREW, 1/4-20 x 2" Hex Head Cap, GR 5	
47	7090188	12	WASHER, .34 x .69 x .08 Flat	
48	7076978	1	NUT, 1/4-20 Hex Nyloc	
49	3079268	1	DECAL, No Flat Tire	
50	3079269	1	DECAL, Easy Off Impeller	

Footnotes:

NOTE * Purchase engine components directly from engine manufacturer dealer.

GIANT-VAC MODEL LBX13152BV



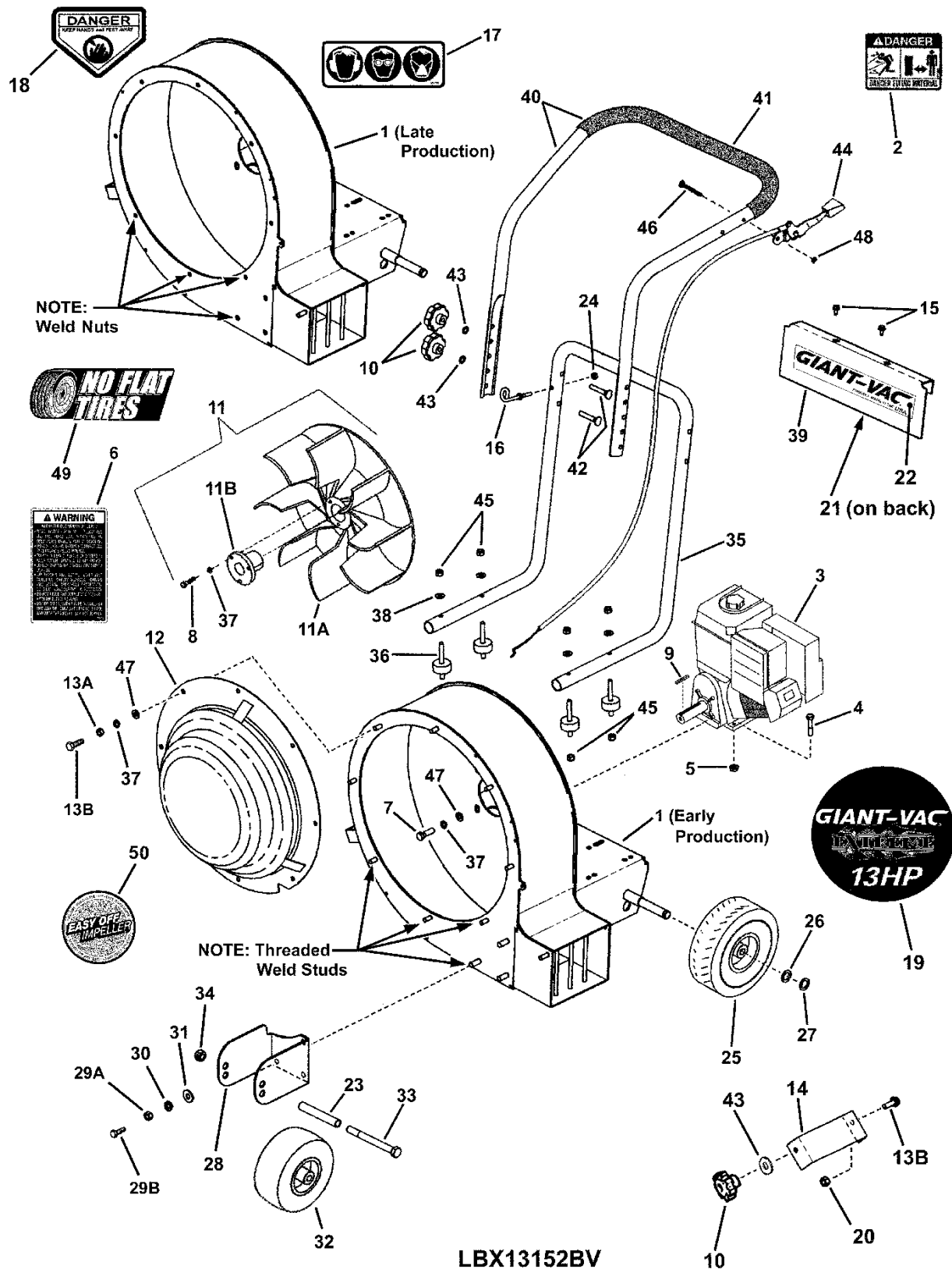
GIANT-VAC MODEL LBX13152BV

Item	Part No	Qty	Description	Note
1	3010269	1	WELDMENT, Housing - Extreme Blower	
2	7033874	1	DECAL, Thrown Objects, Large	
3	--	1	* ENGINE, B&S 13HP Mod 245432-0577-E1	<i>Vanguard</i>
4	7091540	4	SCREW, 5/16-18 x 1-1/2" Hex Head Cap, GR 5	
5	7091601	8	NUT, 5/16-18 Hex Flange Lock, GR 5	
6	7033686	1	DECAL, Warning- Leaf Blower	
7	7091513	4	SCREW, 5/16-24 x 1-3/4" Hex Head Cap, GR 5	<i>or 1921982 (HHCS, 5/16-24 x 1-1/4")</i>
8	7091527	3	SCREW, 5/16-18 x 1-1/4" Hex Head Cap, GR 5	
9	7010210	1	KEY, 1/4" Square x 2"	
10	3071776	5	KNOB, Fluted (5/16-18 thread)	
11	3021598	1	ASSEMBLY, 15" 9 Blade Impeller	<i>includes 11A, 11B & 3 ea. Items 8 & 37</i>
11A	3021595	1	IMPELLER, Cast, 15" O.D.	<i>aluminum with 9 curved blades</i>
11B	3021596	1	HUB, Taper-Lok, Type 1 - P1 x 1.000	<i>(1.938 OAL)</i>
12	3020233	1	WELDMENT, Intake Baffle - Extreme	
13A	7091511	8	NUT, 5/16-18 Hex, GR 5 or B	<i>Used on Early version Housing</i>
13B	7091318	10	SCREW, 5/16-18 x 3/4" Hex Head Cap, GR 5	<i>Used on Late version Housing</i>
14	3024658	1	DEFLECTOR, Side Air	
15	7091523	2	SCREW, 5/16-18 x 5/8" Hex Washer Self-Tap	
16	7046465	1	GUIDE, Rope (1/4-20 thread)	
17	7075893	1	DECAL, Personal Protection	
18	7013010	1	DECAL, Danger, Cut Finger	
19	3046586	1	DECAL, 13HP Extreme	
20	7091575	1	NUT, 5/16-18 Hex Center Lock	
21	7029445	1	DECAL, GIANT-VAC (Small)	
22	7075861	1	DECAL, GIANT VAC	
23	7022151	1	SLEEVE, Axle	
24	7090372	1	NUT, 1/4-20 Hex Center Lock, GR 5 or B	
25	3033276	2	ASSY., Wheel & Tire 4.10/3.50-4 "Flatfree"	
--	3033151	4	BALL BEARING, 5/8 x1-3/8 (Not shown, part of item 25)	<i>was 3033107</i>
26	7091628	2	WASHER, .64 x .99 x .05 Flat	
27	7012763	2	RING, External Retaining	<i>(TRU1500-62)</i>
28	7078139	1	BRACKET, Front Wheel Mounting	
29A	7091302	3	NUT, 3/8-16 Hex, GR 5 or B	
29B	7091304	3	SCREW, 3/8-16 x 1" Hex Head Cap, GR 5	
30	7091320	3	WASHER, 3/8" Split Lock	
31	7090517	3	WASHER, 3/8" Flat	
32	3033300	1	ASSY., Tire & Wheel 9 x 3.50-4 "Flatfree"	
33	7091822	1	BOLT, 1/2-13 x 5" Hex Head Cap	
34	7091894	1	NUT, 1/2-13 Hex Center Lock, GR 5	
35	7033753	1	HANDLE, Lower Folding - Wide - Blower	

Footnotes:

NOTE * Purchase engine components directly from engine manufacturer dealer.

GIANT-VAC MODEL LBX13152BV



GIANT-VAC MODEL LBX13152BV

Item	Part No	Qty	Description	Note
36	3032160	4	MOUNT, Vibration (5/16-18, both ends)	
37	7091315	17	WASHER, 5/16" Split Lock	
38	1717312	4	WASHER, 5/16" Curved	
39	7033866	1	DASH PANEL, Blower - Wide	
40	3023276	1	ASSY, Upper Handle & Grip - Wide	(p/n 7033696 + grip)
41	7074422	1	GRIP, 1.0 x 21-1/2" Foam	
42	7091189	4	BOLT, 5/16-18 x 2", Curved Head Sq. Neck	
43	7090391	5	WASHER, 5/16" Internal Tooth Lock	
44	7078127	1	THROTTLE CONTROL, (29.25/2.12)	
45	7091298	8	NUT, 5/16-18 Hex Nyloc	
46	7090505	1	SCREW, 1/4-20 x 2" Hex Head Cap, GR 5	
47	7090188	12	WASHER, .34 x .69 x .08 Flat	
48	7076978	1	NUT, 1/4-20 Hex Nyloc	
49	3079268	1	DECAL, No Flat Tire	
50	3079269	1	DECAL, Easy Off Impeller	

Footnotes:

NOTE * Purchase engine components directly from engine manufacturer dealer.

Parts Manual for

GIANT-VAC[®]

EXTREME SERIES WALK-BEHIND LEAF BLOWER SERIES 1 & 2

IT IS THE POLICY OF SNAPPER TO IMPROVE ITS PRODUCTS
WHENEVER IT IS POSSIBLE AND PRACTICAL TO DO SO. WE
RESERVE THE RIGHT TO MAKE CHANGES OR ADD IMPROVEMENTS
AT ANY TIME WITHOUT INCURRING ANY OBLIGATION TO MAKE
SUCH CHANGES ON PRODUCTS MANUFACTURED PREVIOUSLY.

GIANT-VAC[®]