

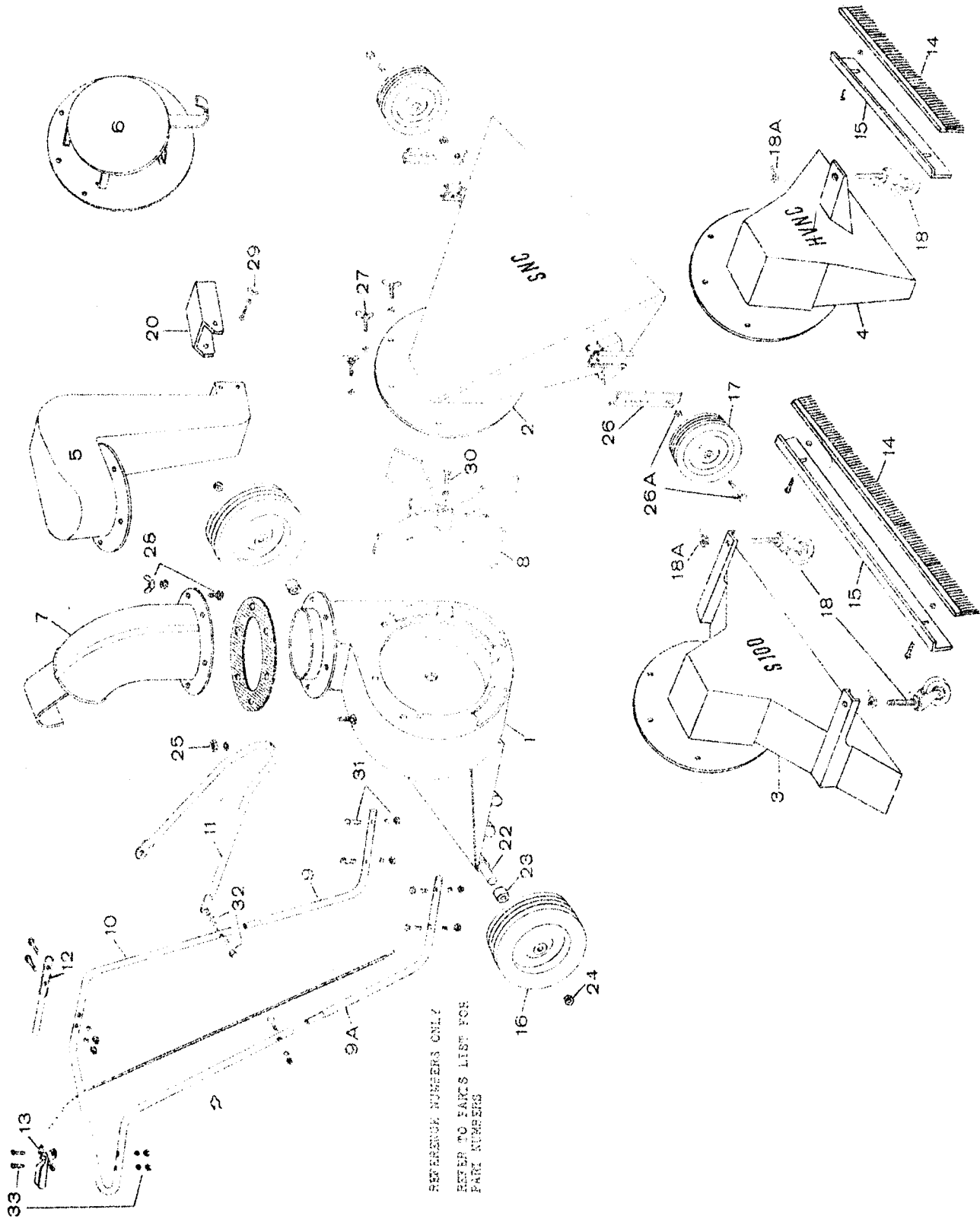
| REF. NO. | PARTS NO. | DESCRIPTION | 1670 | 1700 | 1800 |
|----------|-----------|---------------------------------|------|------|------|
| 1 | 10009 | Blower Housing & Engine Base | 1 | | |
| 1 | 10010 | Blower Housing & Engine Base | | 1 | |
| 1 | 10011 | Blower Housing & Engine Base | | | 1 |
| 3 | 27015 | S100 Nose Cone Body | 1 | 1 | 1 |
| 4 | 27018 | 24" HV Nose Cone Body | 1 | 1 | 1 |
| 4 | 27017 | 30" HV Nose Cone Body | 1 | 1 | 1 |
| 5 | 24512 | Blower Air Chute | 1 | 1 | 1 |
| 6 | 20103 | Intake Baffle | 1 | 1 | 1 |
| 7 | 24510 | Exhaust Elbow | 1 | 1 | 1 |
| 8 | 21502 | Impeller | 1 | | |
| 8 | 21502 | Impeller | | 1 | |
| 8 | 21503 | Impeller | | | 1 |
| 9 | 23002 | Lower Handle | 1 | 1 | 1 |
| 9A | 23002 | Lower Handle | 1 | 1 | 1 |
| 10 | 23017 | Upper Handle | 1 | 1 | 1 |
| 11 | 23011 | Handle Brace | 1 | | |
| 11 | 23012 | Handle Brace | | 1 | 1 |
| 13 | 35004 | Throttle Control | 1 | 1 | 1 |
| 14 | 27011 | S100 Nose Cone Brush | 1 | 1 | 1 |
| 14 | 27022 | 24" Nose Cone Brush -24HV | 1 | 1 | 1 |
| 14 | 27010 | 30" Nose Cone Brush -30HV | 1 | 1 | 1 |
| 15 | 27019 | 36" Nose Cone Brush Holder | | | |
| | | - S100 | 1 | 1 | 1 |
| 15 | 27021 | 24" Nose Cone Brush Holder - | | | |
| | | 24HV | 1 | 1 | 1 |
| 15 | 27020 | 30" Nose Cone Brush Holder - | | | |
| | | 30HV | 1 | 1 | 1 |
| 16 | 33027 | Wheel 10 x 2.75 semi-pneu. | 2 | 2 | |
| 16 | 33028 | Wheel 410 x 3.50 Pneu. | 2 | 2 | 2 |
| 18 | 33014 | S100 Caster Assembly | 2 | 2 | 2 |
| 18A | 31038 | 3/4" Thumb Nut | 2 | 2 | 2 |
| 19 | 33014 | 24" HV Caster Assembly | 1 | 1 | 1 |
| 20 | 24513 | Blower Chute Deflector | 1 | 1 | 1 |
| 24 | 31000 | Snap Ring 5/8" | 2 | 2 | 2 |
| 25 | 31058 | 3/8" Nut, Lockwasher | 1 | 1 | 1 |
| 27 | 31026 | T Bolt | 3 | 3 | 3 |
| 28 | 31054 | 5/16 x 3/4" Bolt, Wing Nut, | | | |
| | | Washers | 4 | 4 | 4 |
| 29 | 31055 | 1/4 x 5/8" Bolt, Wing Nut, | | | |
| | | Washers | 2 | 2 | 2 |
| 30 | 31020 | 7/16" x 1 1/2" Bolt, Key, | | | |
| | | Washers | 1 | 1 | 1 |
| 31 | 31057 | 5/16 x 1 3/4" Bolt, Nut, Washer | 4 | 4 | 4 |
| 32 | 31056 | 5/16" x 1 1/2" Bolt, Acorn Nut- | | | |
| | | Washers | 2 | 2 | 2 |
| 33 | 31010 | 10 x 24 x 1 1/2" Nut, Washers | 2 | 2 | 2 |
| | 31007 | Throttle Clips | 2 | 2 | 2 |
| 46 | 23029 | Lower Shifting Arm | 1 | 1 | 1 |
| 47 | 23030 | Upper Shifting Arm | 1 | 1 | 1 |
| 58 | 20109 | Intake Flange 2" | 1 | 1 | 1 |
| 58 | 20110 | Intake Flange 3" | 1 | 1 | 1 |
| 58 | 20111 | Intake Flange 4" | 1 | 1 | 1 |
| 58 | 20112 | Intake Flange 5" | 1 | 1 | 1 |
| 58 | 20113 | Intake Flange 6" | 1 | 1 | 1 |
| 58 | 20114 | Intake Flange 7" | 1 | 1 | 1 |
| 58 | 20115 | Intake Flange 8" | 1 | 1 | 1 |

Continued next page.

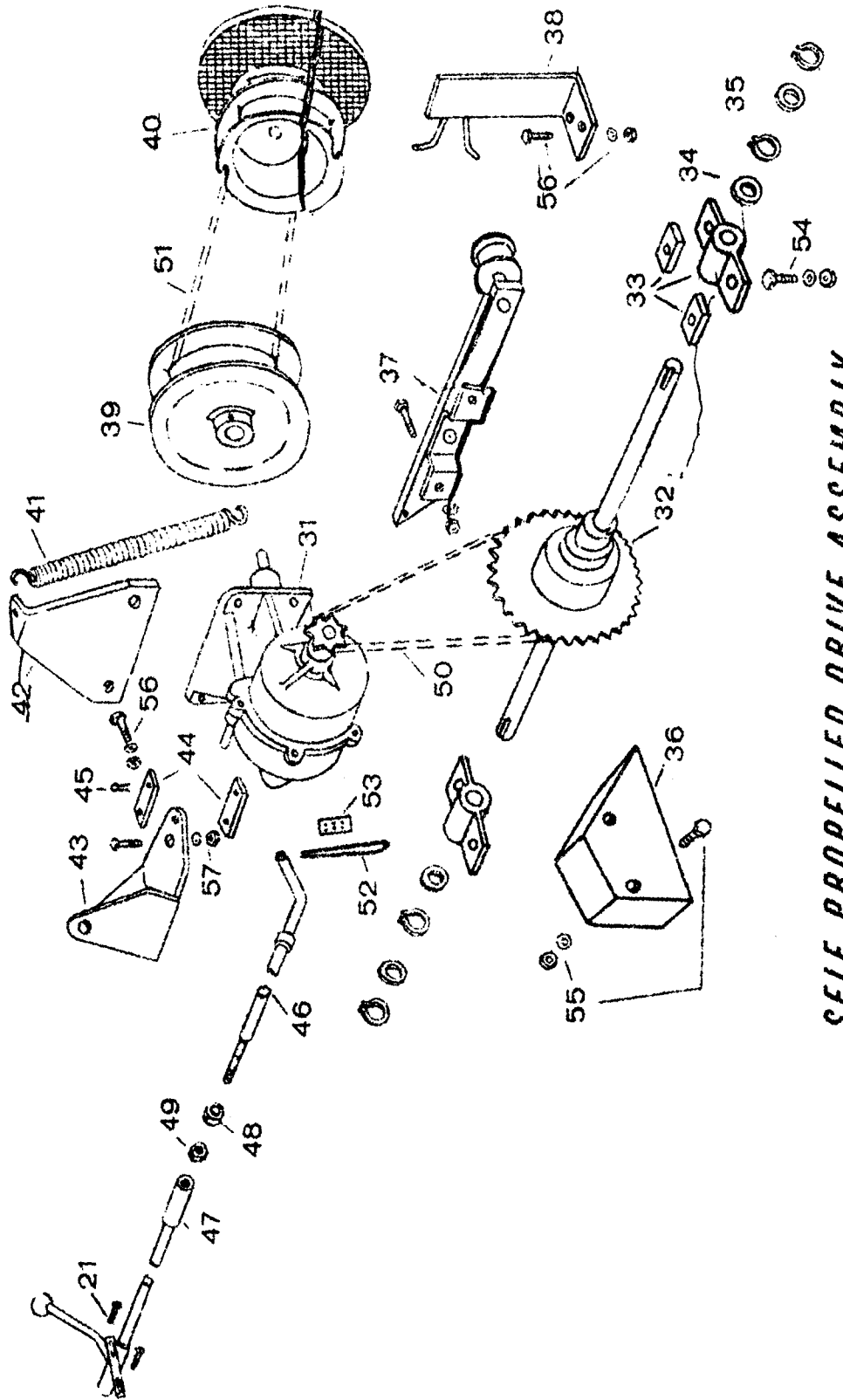
| REF. NO. | PART NO. | DESCRIPTION | 1670 | 1700 | 1800 |
|----------|----------|-----------------------------|------|------|------|
| 59 | 20143 | Intake Nozzle 2" | 1 | 1 | 1 |
| 59 | 20144 | Intake Nozzle 3" | 1 | 1 | 1 |
| 59 | 20145 | Intake Nozzle 4" | 1 | 1 | 1 |
| 59 | 20146 | Intake Nozzle 5" | 1 | 1 | 1 |
| 59 | 20147 | Intake Nozzle 6" | 1 | 1 | 1 |
| 59 | 20148 | Intake Nozzle 7" | 1 | 1 | 1 |
| 59 | 20149 | Intake Nozzle 8" | 1 | 1 | 1 |
| 60 | 24511 | 7" Exhaust Flange | 1 | 1 | 1 |
| 61 | 34000 | Intake Hose 2" x 10' | 1 | 1 | 1 |
| 61 | 34001 | Intake Hose 3' x 10' | 1 | 1 | 1 |
| 61 | 34002 | Intake Hose 4" x 10' | 1 | 1 | 1 |
| 61 | 34003 | Intake Hose 5" x 10' | 1 | 1 | 1 |
| 61 | 34004 | Intake Hose 6" x 10' | 1 | 1 | 1 |
| 61 | 34005 | Intake Hose 7" x 10' | 1 | 1 | 1 |
| 61 | 34006 | Intake Hose 8" x 10' | 1 | 1 | 1 |
| 62 | 34018 | Exhaust Metal Hose 7" x 10' | 1 | 1 | 1 |
| 63 | 34009 | Hose Clamps 2" | 2 | 2 | 2 |
| 63 | 34010 | Hose Clamps 3" | 2 | 2 | 2 |
| 63 | 34011 | Hose Clamps 4" | 2 | 2 | 2 |
| 63 | 34012 | Hose Clamps 5" | 2 | 2 | 2 |
| 63 | 34013 | Hose Clamps 6" | 2 | 2 | 2 |
| 63 | 34014 | Hose Clamps 7" | 2 | 2 | 2 |
| 63 | 34015 | Hose Clamps 8" | 2 | 2 | 2 |
| 64 | 31105 | Rubber Gasket | 1 | 1 | 1 |
| | 210 | Dust Control Bag | 1 | 1 | 1 |
| | 510 | Liner Bag | 1 | 1 | 1 |
| | 710 | Polypropylene Bag | 1 | 1 | 1 |
| | 39002 | 8 H.P. B&S Engine | | | |
| | 39006 | 7 H.P. Kohler Engine | | | |
| | 39007 | 8 H.P. Kohler Engine | | | |

| PART NO. | PARTS NO. | DESCRIPTION | DIFFERENTIAL MODELS | | |
|-------------|--------------|--|------------------------|------|------|
| | | | 1670 | 1700 | 1800 |
| 31 | 36012 | Transmission | 1 | 1 | 1 |
| 32 | 33026 | Axle and Differential Assembly | q 1 | 1 | 1 |
| 33 | 31073 | Pillow Blocks | 2 | 2 | 2 |
| 34 | 31074 | Plain Washer | 2 | 2 | 2 |
| 35 | 31075 | Retaining Rings | 2 | 2 | 2 |
| 36 | 37000 | Chain Guard | 1 | | |
| 36 | 37001 | Chain Guard | | 1 | 1 |
| 37 | 36013 | Idler Arm and Pulley | 1 | | |
| 37 | 36014 | Idler Arm and Pulley | | 1 | 1 |
| 38 | 36015 | Belt Retainer | 1 | | |
| 38 | 36016 | Belt Retainer | | 1 | 1 |
| 39 | 36017 | Transmission Pulley | 1 | | |
| 39 | 36018 | Transmission Pulley | | 1 | 1 |
| 40 | 36019 | Engine Starter and Pulley Assembly | 1 | | |
| 40 | 36020 | Engine Starter and Pulley Assembly | | 1 | 1 |
| 41 | 24502 | Idler Arm Spring | 1 | 1 | 1 |
| 42 | 37002 | Spring Bracket | 1 | 1 | 1 |
| 44 | 31076 | Control Linkage Plate | 2 | | |
| 44 | 31077 | Control Linkage Plate | | 2 | 2 |
| 45 | 31072 | Cotter Pins | 2 | 2 | 2 |
| 48 | 31043 | 1/2" Lockwasher | 1 | 1 | 1 |
| 49 | 31022 | 1/2" Nut | 1 | 1 | 1 |
| 50 | 36021 | Chain | 1 | | |
| 50 | 36022 | Chain | | 1 | 1 |
| 51 | 36023 | Belt | 1 | | |
| 51 | 36024 | Belt | | 1 | 1 |
| 52 | 31070 | Cable | 1 | | |
| 52 | 31071 | Cable | | 1 | 1 |
| 54 | 31069 | Bolt, Nut, Washer for Bearing (Axle) 1" x 1/4" | 2 | | |
| 54 | 31069 | Bolt, Nut, Washer for Bearing (Axle) 1" x 1/4" | | 2 | 2 |
| 55 | 31068 | Bolt, Nut, Washer for Chain Guard 1 1/4" x 1/4" | 2 | | |
| 55 | 31068 | Bolt, Nut, Washer for Chain Guard 1 1/4" x 1/4" | | 2 | 2 |
| 56 | 31067 | 5/16" - 18 x 1" Bolt, Nut for Transmission | 4 | 4 | 4 |
| 57 | 31066 | 3/8" x 1" Bolt, Nut, Washer for Low- er Arm Bracket | 2 | 2 | 2 |

REFERENCE # FOR GIANT-VACS MODELS # 400, 575, 600



REFERENCE NUMBERS ONLY
REFER TO PARTS LIST FOR
PART NUMBERS



SELF PROPELLED DRIVE ASSEMBLY