

INSTRUCTIONS FOR OPERATING YOUR GIANT TRAIL-VAC
MODELS 888-B - 888-B-IC - 898-K - 1010-B - 888-MO - 888-IC-MO - 898-MO - 1010-MO

Your Giant Trail-Vac comes completely assembled, except for the Mower Attachment. This is packed in a separate box.

Inspect machine for any damage that may have occurred in shipping. If any damage is found, save the packing box and **IMMEDIATELY** notify the transport carrier who delivered your machine, as they are responsible for the damage and are the only ones to make any adjustments. Before leaving our plant, all dimensions are held to close tolerances, therefore, you will have little difficulty in operating your Giant Trail-Vac if you follow these steps.

CALIFORNIA PROPOSITION 65 WARNING

Gasoline and Diesel engine exhaust and some of its constituents are known to the State of California to cause cancer, birth defects and other reproductive harm.

As an owner of off-road gasoline or diesel engine equipment and/or as an employer, you also may have an obligation under the California Occupational Safety and Health Act or under Proposition 65 to warn persons exposed to gas and diesel engine exhaust and/or other Proposition 65 chemicals in and around your workplace.

See California Health and Safety Code section 25249.5, Title 22 of the California Code of Regulations at section 1200 *et seq.*, and Title 8 of the California Code of Regulations section 5194.

Your Giant Trail-Vac is quite universal and has many attachments available. The most popular of these are as follows:

1. Direct mount nose cone.
2. Direct mount hose attachment.
3. Rotary Mower Attachment which fastens to the discharge side of a garden tractor.

TRAILER BED: Your Giant Trail-Vac has an approximate 2 cubic yard trailer. The trailer will self-dump. When the trailer is full, back the trailer to the dumping area. Take off the two back door catches and pick up the back door and the debris will come out. Grease the trailer wheels after every eight hours of operation.

NOSE CONE: The nose cone is mounted directly onto the power unit and it has a rubber flap on each side. The nose cone can be easily raised or lowered by loosening the two bolts and sliding the flap by means of the adjustment slots provided. The height of the flaps depends upon the particular application. In essence, the back flap should be just touching the ground.

DIRECT MOUNT HOSE KIT: The hose kit consists of a flange that colts onto the power unit, in place of the nose cone, a ten foot length of 6" hose and a nozzle to fit on the other end of the

hose. These have many applications. Probably the most important is to clean out such places as shrubbery beds.

ROTARY MOWER ATTACHMENT: This kit consists of a special universal discharge chute that attaches to the discharge portion of the mower deck, in place of the deflector. The attachment end of the chute is adjustable and will fit most model tractors. At the other end of the chute, attach one end of the 6" x 6' exhaust hose, fastening with one of the hose clamps provided. Attach the intake flange to the power unit, using the same hardware that held the nose cone. Attach the free end of the hose to the flange using the remaining hose clamp to hold the hose on place.

SAFETY AND OPERATING INSTRUCTIONS

MOTOR INSTRUCTIONS: You have received a complete engine manual with your machine. Be sure to especially note the instructions on OILING. **ALL MACHINES ARE SHIPPED WITHOUT OIL OR GASOLINE UNLESS OTHERWISE NOTED.** If you have any difficulties with the engine, check the Yellow Pages of your phone book for the engine dealer nearest you, rather than us, as the engines are under their own manufacturer's warranty.

TRAINING:

1. Regard your Giant Trail-Vac as a piece of power equipment and teach this regard to all who will operate this unit.
2. **NEVER** allow children or young teenagers to operate the Giant Trail-Vac.
3. Be sure you know how to stop the engine at a **MOMENT**.
4. Instruct children to keep away from the area of operation at all times.

PREPARATION:

1. Before starting operation, clear the entire work area of all debris that could catch on or be thrown by the Giant Trail-Vac.
2. Unless there is very good artificial light, use only during daylight.
3. Fill gasoline driven machines outdoors. Avoid spilling gasoline and **DO NOT** fill the engine while it is running or while you are smoking.

OPERATION:

1. **NEVER INSERT ANY BODY PART OR OTHER FOREIGN OBJECT IN ANY OPENING WHILE THE MACHINE IS RUNNING.**
2. Do not operate with any guards or component parts removed from unit.
3. Before making any adjustments or repairs, stop engine and remove spark plug wire.
4. While in operation, keep all parts of body away from intake and exhaust sections.
5. When operating machines, keep people and pets a safe distance away.
6. Before starting, be certain to check the engine's OIL AND GASOLINE. (See engine manufacturer's Service Manual.) **NEVER** check the engine while engine is running or while you are smoking. Check **ONLY** when engine is cold.
7. Before starting the engine, be certain the unit is completely assembled. With your right hand, set the throttle control to the "on" position. When the engine is cold, you might have to initially

choke the engine. (The choke lever is next to the carburetor.) Next, with your left hand, pull the recoil starter rope slowly until you feel compression, then pull fast and steady. Do not let the recoil starter rope snap back by itself. This may damage the rope or recoil starter assembly. After the engine starts, move the throttle lever down to approximately halfway.

8. When using your Giant Trail-Vac, stay off hills with a slope of 30 degrees or more. When using the machine on a hill, drive at an angle, not straight up or down.

9. Always make sure that your tractor is in good running order and all safety devices and guards are in place and working properly before using the machines.

10. NEVER allow anyone except the operator to ride on the tractor and NEVER allow anyone to ride on the Trail-Vac.

11. Before backing up, ALWAYS stop and check to make sure that there are no people, especially children, or any objects behind the machine that could be backed into or run over. This could result in serious injuries and severe damage to the machine.

MAINTENANCE AND STORAGE:

1. Follow implicitly the engine manufacturer's recommendations for maintenance and storage.
2. Never adjust the Giant Trail-Vac or change attachments until the engine has been turned off and the spark plug wire has been disconnected.
3. If carburetor adjustment is necessary, stand to one side and keep feet and hands in the clear while making adjustments.
4. Keep engine free from accumulations of grass, leaves or excessive grease. An accumulation of these combustible materials may result in a fire.
5. Store gasoline in a safe and approved container in a cool dry place.
6. Keep the Giant Trail-Vac and fuel container in locked storage to prevent children from playing and/or tampering with them.
7. Gasoline powered equipment or fuel containers should not be stored in a basement or any closed area where heating or heat appliances or open pilot lights are present, unless the fuel is completely drained from the power equipment and the fuel containers.

GIANT-VAC WARRANTY

GIANT-VAC MFG. INCORPORATED, here-in-after called Giant-Vac, warrants each new Giant-Vac to the original retail purchaser of the new Giant-Vac equipment to be free from manufacturing defects in normal service for a period of 90 days, unless it is used for rental purposes, which limits the warranty to 30 days. This warranty does not apply to engines, tires or other parts that are purchased and warranted by their manufacturer. Items such as bags, grass catchers, hoses and blades are not warranted, as these are considered expendable items. This warranty does not include equipment failures due to normal wear.

Any obligation under this warranty is expressly limited to the replacement or repair, at an authorized servicing Giant-Vac dealer, or at a point designated by us, of such parts as appear to us to have been defective. All defective parts have to be returned freight prepaid before credit will be issued.

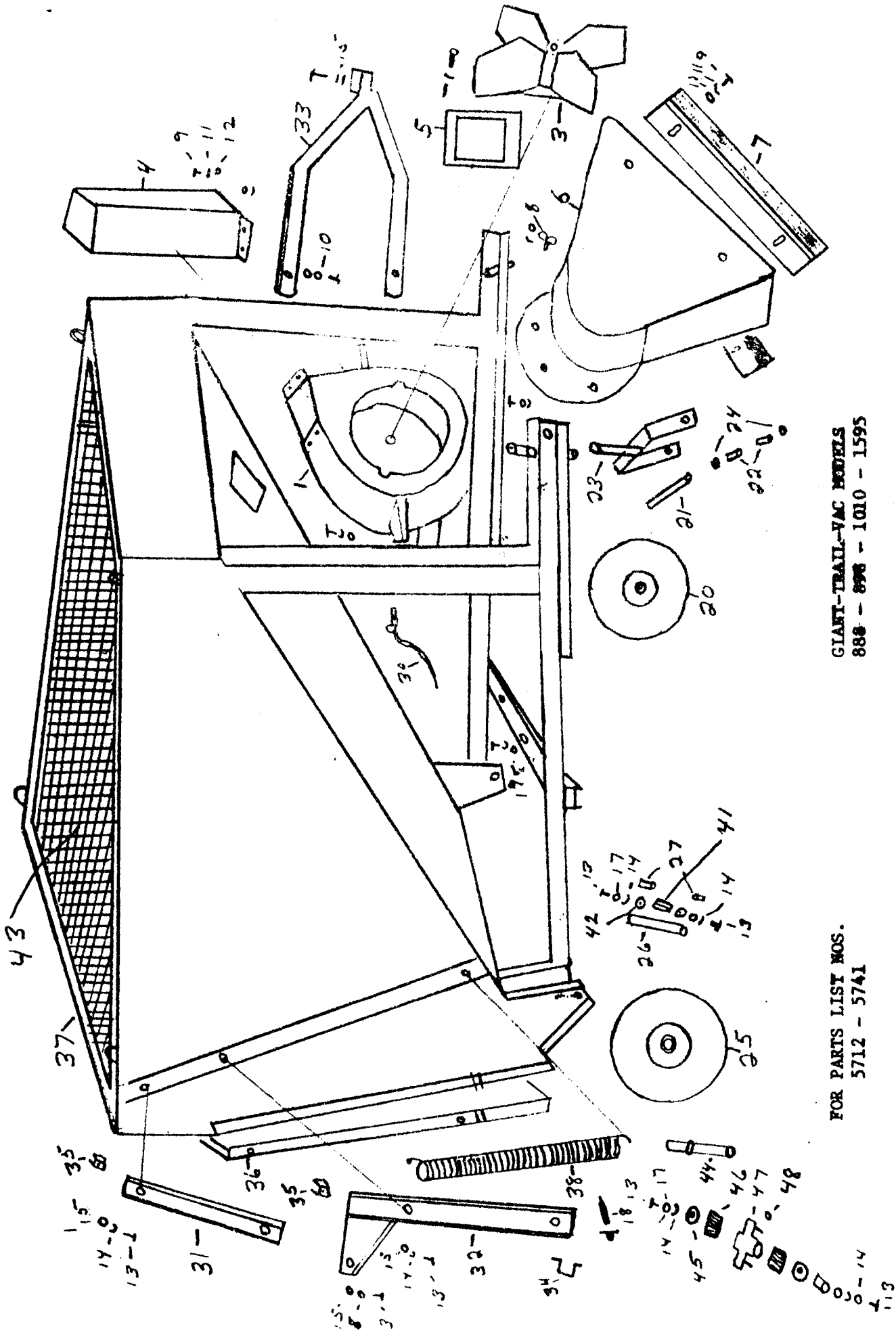
We shall not be liable for transportation charges in connection with the replacement or repair of defective parts.

This warranty does not apply to a Giant-Vac upon which repairs or alterations have been made by others except with our prior written approval.

We shall not be liable for consequential damages or contingent liabilities for the fitness of any Giant-Vac for any particular purpose.

We make no other express, implied or statutory warranty, nor is anyone authorized to make any in our behalf.

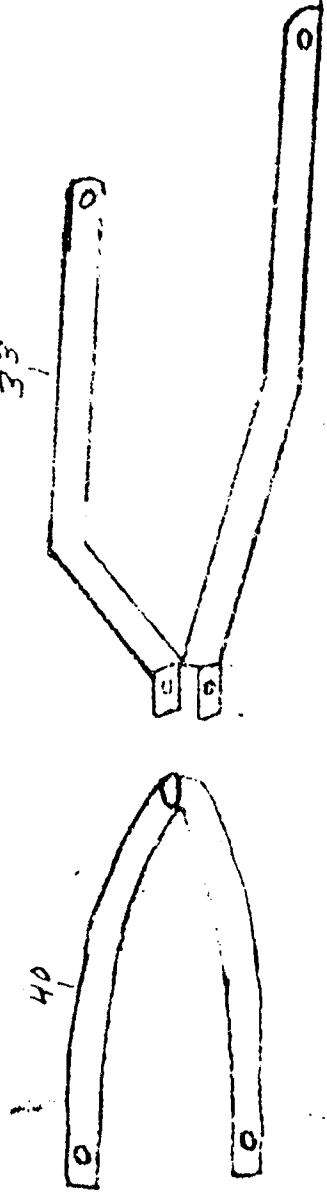
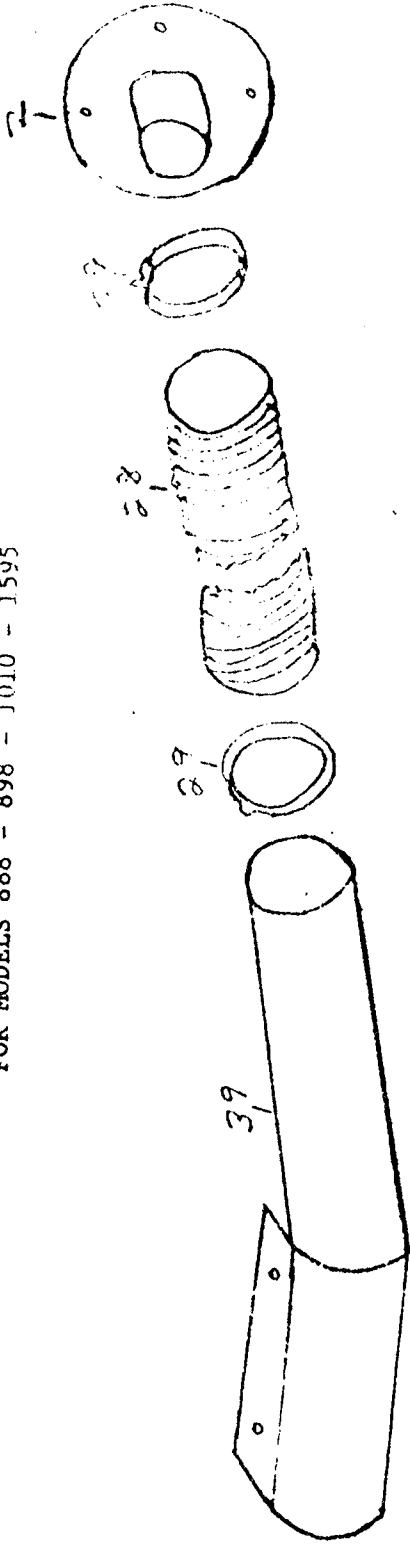
GIANT-VAC MFG. INCORPORATED
P.O. BOX 195
SOUTH WINDHAM, CT. 06266
PHONE: 860-423-7741 FAX: 860-423-2654



GIANT-TRAIL-VAC MODELS
 888 - 8996 - 1010 - 1595

FOR PARTS LIST NOS.
 5712 - 5741

MOWER CHUTE
FOR MODELS 886 - 898 - 1010 - 1595



PARTS LIST NO. 5741

PARTS LIST NO. 5712

<u>REF.</u> <u>NO.</u>	<u>PART</u> <u>NO.</u>	<u>DESCRIPTION</u>	<u>888</u>	<u>898</u>	<u>1010</u>
1	10022	Blower housing & engine base	1		
1	10023	Blower housing & engine base		1	
1	10024	Blower housing & engine base			1
2	20134	6" intake flange	1	1	
2	20135	6" intake flange			1
3	21503	Impeller	1	1	
3	21533	Impeller			1
4	24514	Exhaust stack	1	1	
4	24516	Exhaust stack			1
5	24515	Exhaust stack flange	1	1	
5	24517	Exhaust stack flange			1
6	27035	Nose cone body 36"	1	1	
6	27037	Nose cone body 42"			1
7	27036	Rubber flap mounted 36"	1	1	
7	27038	Rubber flap mounted 42"			1
8	31026	3/8" T-bolt	3	3	3
8	31063	3/8" lock washer & nut			8
9	31089	3/8 x 1" hex bolt	4	4	4
10	31092	7/8 x 3" hex bolt and nut	2	2	2
11	31008	3/8" lockwasher	6	6	6
12	31009	3/8" nut	4	4	4
13	31095	1/2 x 1-1/4" hex bolt	8	8	8
14	31094	1/2" lockwasher	8	8	8
15	31022	1/2" nut	10	10	10
16	31093	1/2 x 1" hex bolt	2	2	2
17	31043	1/2" flat washer	10	10	10
18	31091	1/2 x 5" door bolt and nut	2	2	2
19	31096	5/16 x 1-1/4" hex bolt, nut and washer		4	4
19	31057	5/16 x 1-3/4" hex bolt, nut and washer	4		
20	33001	Wheel 410/350 x 4 pneumatic	2	2	2
21	33031	Front wheel axle	2	2	2
22	33032	Front wheel spacer set	2	2	2
23	33030	Caster horn & stud	2	2	2
25	33059	Wheel 16-650 x 8	2	2	2
26	33170	High speed rear axle	2	2	2
28	34046	Intake hose 6" x 6'	1	1	1
28	34004	Intake hose 6" x 10'	1	1	1
29	34013	Hose clamp 6"	2	2	2
30	35000	Throttle control	1	1	1
31	37003	Door holder bracket	2	2	2

<u>REF.</u> <u>NO.</u>	<u>PART</u> <u>NO.</u>	<u>DESCRIPTION</u>	<u>888</u>	<u>898</u>	<u>1010</u>
32	37004	Door & spring bracket - right	1	1	1
32	37026	Door & spring bracket - left	1	1	1
33	38002	Front trailer hitch	1	1	1
34	37016	Door handle	1	1	1
35	37017	Door bracket stand off	4	4	4
36	27052	Back door	1	1	1
37	27051	Trailer body	1	1	1
38	37018	Door spring	2	2	2
39	27146	Discharge chute - Right hand	1	1	1
39	27147	Discharge chute - Left hand	1	1	1
43	31163	Polypropylene screen	1	1	1

ITEMS NOT SHOWN

33056	Bearing set	2	2	2
33057	Seal	4	4	4
33058	Hub	2	2	2
31152	Lug nut	10	10	10
39002	8 HP Briggs & Stratton engine	1		
39035	8 HP Briggs & Stratton I/C engine	1		
39007	8 HP Kohler engine		1	
39037	11 HP Briggs & Stratton I/C engine			1

ALL SPECIFICATIONS SUBJECT TO CHANGE WITHOUT NOTICE.