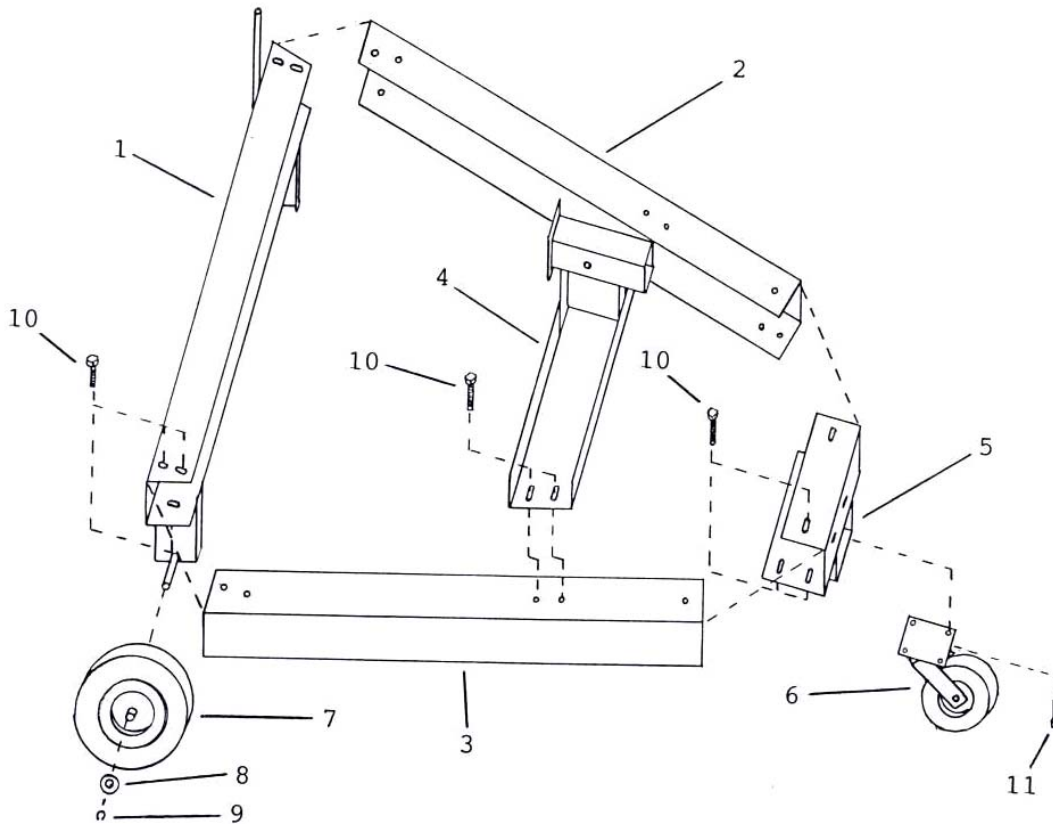


HM STAND
GIANT VAC SWING-AWAY HITCH-MOUNT STAND



GIANT-VAC MODEL DSHM Hitch Mount Display Stand

REF NO.	PART NO.	DESCRIPTION	QTY
1	27284	Rear member/axle	1
2	27285	Left side member	1
3	27286	Right side member	1
4	27287	Center receiving bracket	1
5	27288	Front member/caster mounting bracket	1
6	33190	Front swivel caster assembly	1
7	33172	4.10-350 x 6 wheel	2
8	31001	5/8 flatwasher	2
9	31000	5/8 snap ring	2
10	31687	3/8-16 x 1-1/4" bolt, flatwasher, lockwasher & nut	16
11	31373	3/8-16 x 1" bolt, flatwasher, lockwasher & nut	4
--	31333	1/2-13 x 3 hex bolt (unit securing pin bolt)	1
--	31406	1/2-13 lock nut	1
--	70991	HM Stand - complete	

ALL SPECIFICATIONS SUBJECT TO CHANGE WITHOUT NOTICE